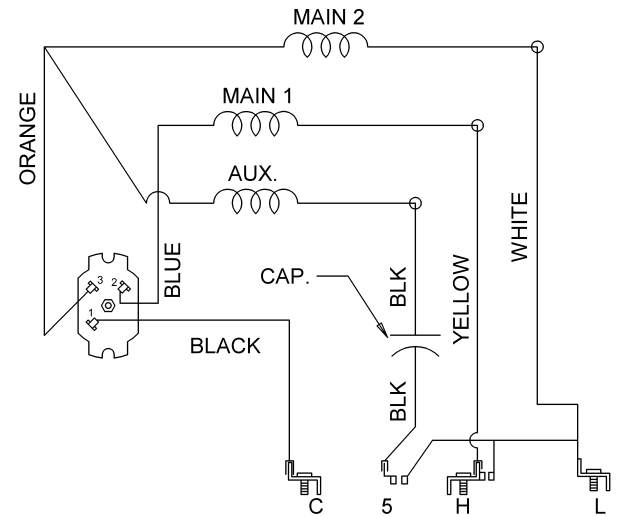


VIEWING LEAD END

ROTATION: CW. SWITCH END



HI SPEED      LO SPEED  
 C-LINE 1      C-LINE 1  
 H-LINE 2      L-LINE 2

REFER TO SEIM 24-1

MODEL C2-4P SGL VOLT. NON-REV.PROT.

REVISION DESCRIPTION FOR: C8396-03		SCALE	UNITS	TITLE	NIDEC MOTOR CORPORATION	
UPDATED TITLE BLOCK TO NIDEC.		NONE	INCHES	DIAGRAM OF CONNECTIONS	NIDEC MOTOR CORPORATION	
		TOLERANCES ON DIMENSIONS (UNLESS OTHERWISE SPECIFIED)				
MATERIAL:		INCHES	mm	ISSUED BY	APPROVED BY	REVISION DATE
		± .015		B. ANDRADE	J. I. SALAZAR	24-SEP-13
		ANGLES X° = ±1°		CODE	DWG NO.	REV SHEET NUMBER
				D04	314786	A 1 OF 1
						DWG SIZE
						B

REV A

NIDEC CONFIDENTIAL  
 NIDEC MOTOR CORPORATION 24-Sep-13

MUST BE COMPLIANT TO ROHS DIRECTIVE EU 2002/95/EC AND REGULATION EC 1907/2006 (REACH) AS AMENDED

SOLIDEDGE

NMCB (MAR-2011)