

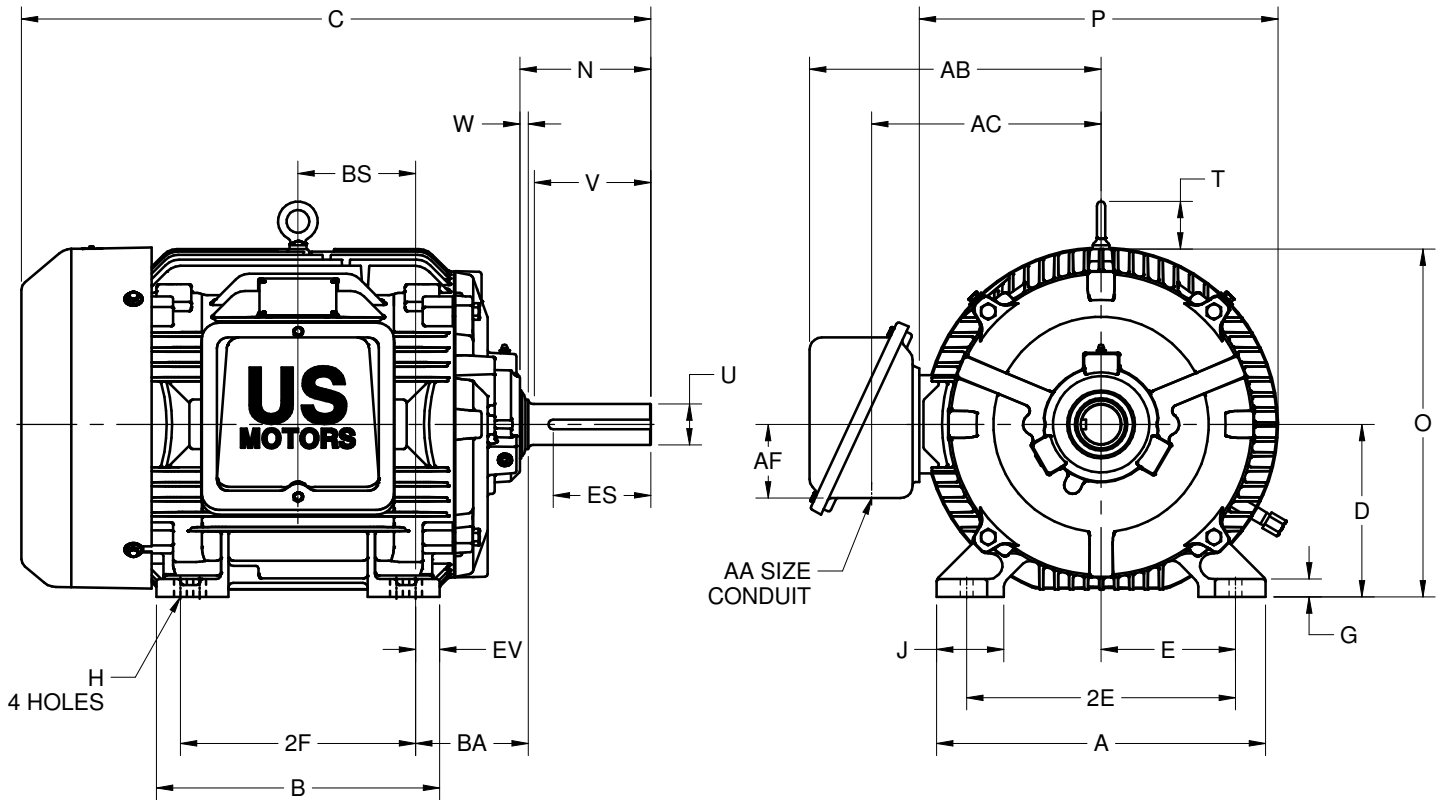
EFFECTIVE:  
**17-APR-18**

**DIMENSION PRINT**  
WORLD MOTOR AUTO DUTY  
FRAME: 364U, 365U  
BASIC TYPE: JDE

PRINT:  
**08-1098**

SUPERSEDES:  
**NEW**

SHEET:  
**1 OF 1**



ALL DIMENSIONS ARE IN INCHES AND MILLIMETERS

UNITS	A	B	C	D -.06	E	2E ±.03	G	H +.05	J	K	N	O	P <sup>2</sup>
IN	17.13	14.75	32.79	9.00	7.00	14.00	.94	.66	3.50	3.75	6.81	18.13	18.91
MM	435	375	833	229	178	356	24	17	89	95	173	461	480

UNITS	T	U -.001	V MIN	W	AA	AB	AC	AF	BA	BS	EV	ES MIN	SQ KEY
IN	2.47	2.125	6.13	.44	2 NPT	15.19	11.94	3.84	5.88	6.13	1.25	5.00	.500
MM	63	53.98	156	11		386	303	98	149	156	32	127	12.70

FRAME	UNITS	2F ±.03
364U	IN	11.25
	MM	286
365U	IN	12.25
	MM	311

1. DIMENSIONS MAY VARY .25" DUE TO CASTING AND/OR FABRICATION VARIATIONS
2. LARGEST MOTOR WIDTH
3. STANDARD ASSEMBLY POSITION F-1 IS SHOWN. F-2 IS PROVIDED WHEN SPECIFIED. CONDUIT OPENING MAY BE LOCATED IN STEPS OF 90° REGARDLESS OF THE LOCATION
4. TOLERANCES ARE SHOWN IN INCHES ONLY

08-1098/-

**Nidec Motor Corporation**  
St. Louis, Missouri

INFORMATION DISCLOSED ON THIS DOCUMENT IS CONSIDERED PROPRIETARY AND SHALL NOT BE REPRODUCED OR DISCLOSED WITHOUT WRITTEN CONSENT OF NIDEC MOTOR CORPORATION



ISSUED BY  
**R. TIMMERMANN**  
APPROVED BY  
**M. CULLEN**

IHP\_DP\_NMCA (MAR-2011) SOLIDEDGE