

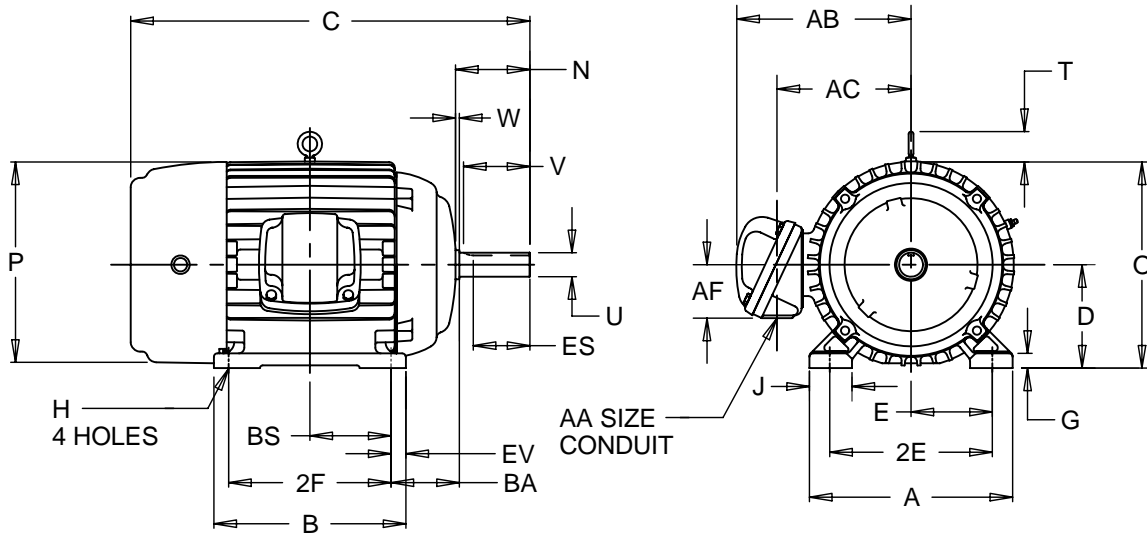
EFFECTIVE:
23-MAR-11

HORIZONTAL MOTORS
AUTOMOTIVE DUTY
FRAME: 213, 215
BASIC TYPE: JAD, JDE

PRINT:
07-2897

SUPERSEDES:
03-AUG-09

SHEET:
1 OF 1



ALL DIMENSIONS ARE IN INCHES AND MILLIMETERS

UNITS	A	B	C	D -.06	E	2E ±.03	G	H +.05	J	N
IN	10.50	8.50	19.63	5.25	4.25	8.50	.50	.41	2.00	3.75
MM	267	216	499	133	108	216	13	10	51	95

UNITS	O	P ²	T	U -.0005	V MIN	W	AA	AB	AC	AF	BA
IN	10.94	11.44	2.03	1.1250	2.75	.38	1.00 NPT	9.81	7.25	2.00	3.50
MM	278	291	52	28.575	70	10		249	184	51	89

UNITS	BS	ES MIN	EV	SQ KEY
IN	3.50	2.00	.75	.250
MM	89	51	19	6.35

FRAME	UNITS	2F ±.03
213	IN	5.50
	MM	140
215	IN	7.00
	MM	178

1: ALL ROUGH CASTING DIMENSIONS MAY VARY BY .25"
DUE TO CASTING AND/OR FABRICATION VARIATIONS.
2: LARGEST MOTOR WIDTH.
3: TOLERANCES SHOWN ARE IN INCHES ONLY.

4: STANDARD ASSEMBLY POSITION F-1 IS SHOWN F-2 IS PROVIDED
WHEN SPECIFIED. CONDUIT OPENINGS MAY BE LOCATED IN
STEPS OF 90 DEGREES REGARDLESS OF LOCATION.
STANDARD AS SHOWN WITH CONDUIT OPENING DOWN.

07-2897/A ECO 46423-00

Nidec Motor Corporation
St. Louis, Missouri

INFORMATION DISCLOSED ON THIS DOCUMENT
IS CONSIDERED PROPRIETARY AND SHALL NOT BE
REPRODUCED OR DISCLOSED WITHOUT WRITTEN
CONSENT OF NIDEC MOTOR CORPORATION



ISSUED BY
R. KING
APPROVED BY
K. POTTER

IHP_DP_NMCA (MAR-2011) SOLIDEDGE