

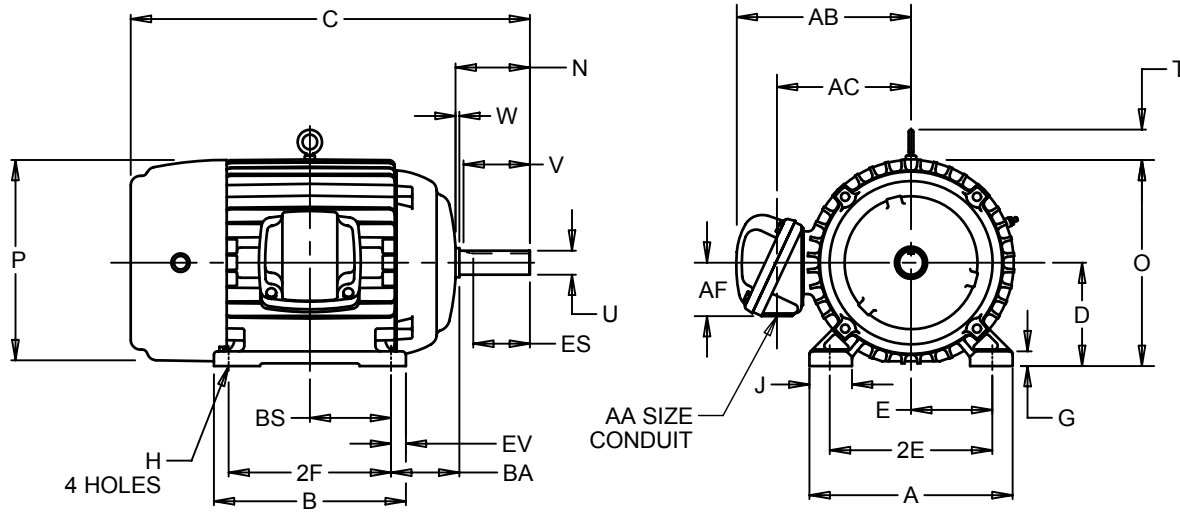
EFFECTIVE:
15-JUN-11

SUPERSEDES:
22-MAY-09

HORIZONTAL MOTORS
AUTOMOTIVE DUTY
FRAME: 254, 256U
BASIC TYPE: JAD, JDE

PRINT:
07-2840

SHEET:
1 OF 1



ALL DIMENSIONS ARE IN INCHES AND MILLIMETERS

UNITS	A	B	C	D -.06	E	2E ±.03	G	H +.05	J	N	O
IN	12.13	12.00	25.00	6.25	5.00	10.00	0.88	.53	2.25	4.13	12.91
MM	308	305	635	159	127	254	22	13	57	105	328

UNITS	P ²	T	U -.0005	V MIN	W	AA	AB	AC	AF	BA
IN	12.41	2.03	1.3750	3.50	.38	1.50 NPT	11.56	8.56	2.63	4.25
MM	315	52	34.925	89	10		294	217	67	108

UNITS	BS	ES MIN	EV	SQ KEY
IN	5.00	2.75	1.00	.313
MM	127	70	25	8

FRAME	UNITS	2F ±.03
254U	IN	8.25
	MM	210
256U	IN	10.00
	MM	254

- 1: ALL ROUGH DIMENSIONS MAY VARY .25" DUE TO CASTING AND/OR FABRICATION VARIATIONS.
- 2: LARGEST MOTOR WIDTH.
- 3: TOLERANCES SHOWN ARE IN INCHES ONLY.
- 4: STANDARD ASSEMBLY POSITION F-1 IS SHOWN F-2 IS PROVIDED WHEN SPECIFIED. CONDUIT OPENINGS MAY BE LOCATED IN STEPS OF 90° REGARDLESS OF LOCATION. STANDARD AS SHOWN WITH CONDUIT OPENING DOWN

07-2840/A

Nidec Motor Corporation
St. Louis, Missouri

INFORMATION DISCLOSED ON THIS DOCUMENT IS CONSIDERED PROPRIETARY AND SHALL NOT BE REPRODUCED OR DISCLOSED WITHOUT WRITTEN CONSENT OF NIDEC MOTOR CORPORATION



ISSUED BY
A. HINGANKAR
APPROVED BY
R. KING

IHP_DP_NMCA (MAR-2011) SOLIDEDGE