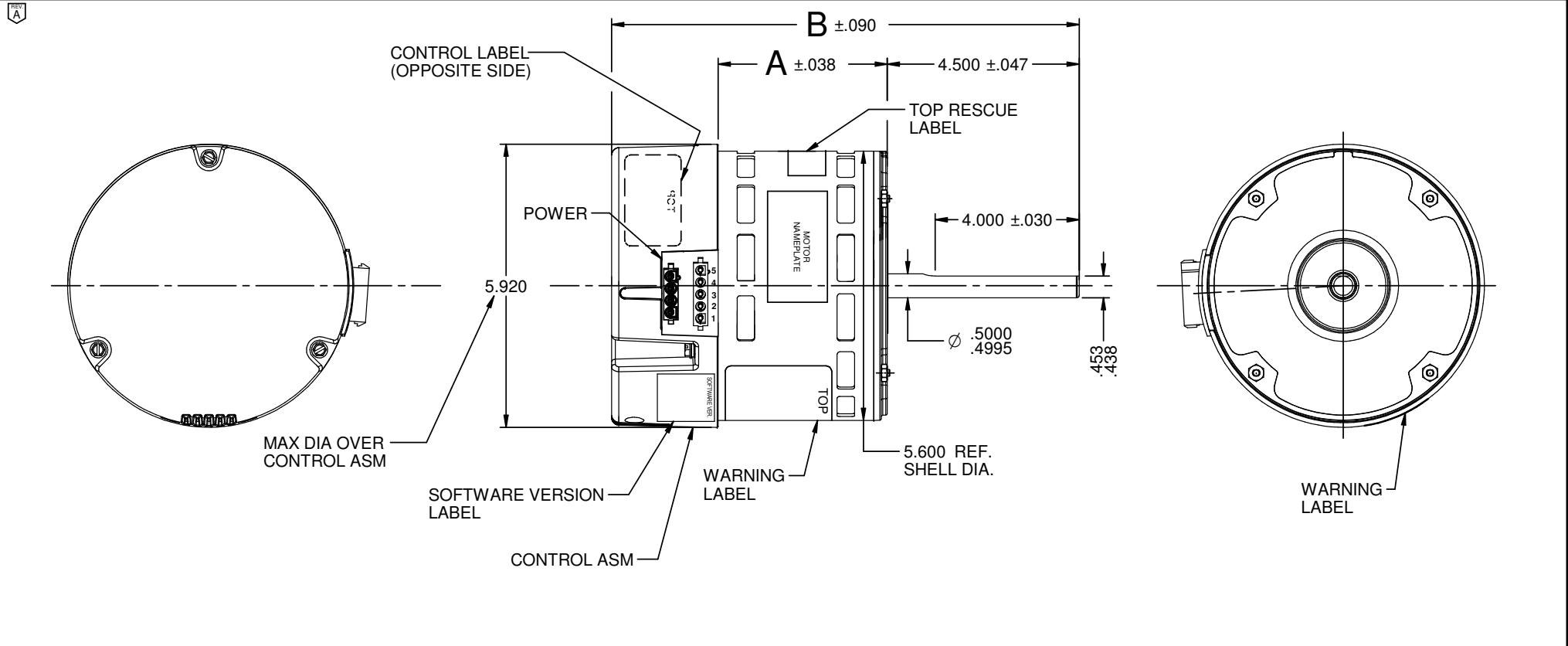


VAR	MODEL	CUSTOMER	H.P.	VOLTS	AMPS	SW. VER.	HZ	R.P.M.	ROTATION	MODE	CUST. PT. NO.	DIM. A	DIM. B
001	M055PWDER-0518	WHOLESALE HAC	1/2-1/3	115/208-230	6.2/4.2-3.8 & 6.6/4.0-3.8	192	60&50	1250/VAR	CCW LE	TORQUE	8631UI	3.531	10.250
002	M055PWDDV-0500	WHOLESALE HAC	1- 3/4	120/208-240	11.0/7.7-6.7 & 11.8/7.3-6.6	191	60&50	1250/VAR	CCW LE	TORQUE	8651UI	4.531	11.750
003	M055PWDDR-0496	WHOLESALE HAC	1- 3/4	120/208-240	11.0/7.7-6.7 & 11.8/7.3-6.6	191	60&50	1250/VAR	CW LE	TORQUE	8650UI	4.531	11.750
004	M055PWDSG-0752	WHOLESALE HAC	1/2-1/3	120/240	5.6/3.2	198	50/60	1800/VAR	CW LE	TORQUE	8430UI	3.531	10.250
005	M055PWDSE-0750	WHOLESALE HAC	1- 3/4	120/208-240	12.4/8.1-7.2 & 11.8/7.4-6.4	210	60&50	1800/VAR	CW LE	TORQUE	8450UI	4.531	11.750
006	M055PWDSJ-0754	WHOLESALE HAC	1- 3/4	120/208-240	12.4/8.1-7.2 & 11.8/7.4-6.4	210	60&50	1800/VAR	CCWLE	TORQUE	8451UI	4.531	11.750
007	M055PWDEL-0514	WHOLESALE HAC	1/2-1/3	115/208-230	6.2/4.2-3.8 & 6.6/4.0-3.8	207	60&50	1250/VAR	CWLE	TORQUE	8630UI	3.531	10.250
008	M055PWDHY-0590	WHOLESALE HAC	1/2-1/3	115/208-230	6.2/4.2-3.8 & 6.6/4.0-3.8	207	60&50	1250/VAR	CW LE	SPEED	8630UIS	3.531	10.250
009	M055PWDSC-0748	WHOLESALE HAC	1/2 -1/3	120/240	5.6/3.2	211	50/60	1800/VAR	CCW LE	TORQUE	8431UI	3.531	10.250



NIDEC MOTOR CORPORATION 07-Aug-18

REFER TO S.E.I.M. 24-1

REVISION RECORD FOR:		TOLERANCES ON DIMENSIONS (UNLESS OTHERWISE SPECIFIED)		NIDEC MOTOR CORPORATION						
ECO E31901				INFORMATION DISCLOSED ON THIS DOCUMENT IS CONSIDERED PROPRIETARY AND SHALL NOT BE REPRODUCED OR DISCLOSED WITHOUT WRITTEN CONSENT OF NIDEC MOTOR CORPORATION						
ADDED VAR 005, ADDED VAR 006 BY ECO E31911, ADDED VAR 007 BY ECO E31917, ADDED VAR 008 BY ECO E31920 AND ADDED VAR 009 BY ECO E31879				REVISION DATE: 07-AUG-18						
		INCHES .XX = ±.010 XXX = ±.005		TITLE		CODE	ITEM NO.	REV	SHEET NUMBER	DWG SIZE
ISSUED BY: C. LUGO		ENGINEER APPROVED: S. NGO		CUSTOMER DETAIL DRAWING		V02	821768	A	1 OF 6	B
		ANGLES X° = ±1°								