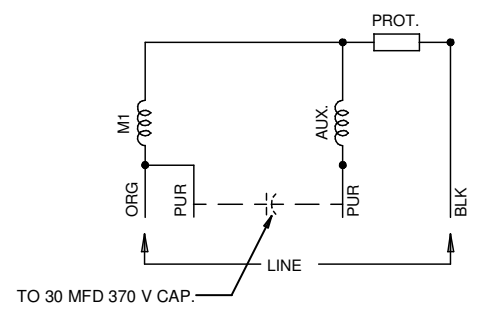


(2) RING TERMS. TO FIT #10 SCREW

(4) LEADS, #16, .062 THICK INSUL. TO EXTEND BEYOND MOTOR.
 ORG=77.000+3-0, BLK=77.000+3-0,
 PUR=68.000+3-0, PUR=68.000+3-0



BALL BEARING MOTOR

NIDEC MOTOR CORPORATION 11-Oct-12

MODEL	REF	CUSTOMER	HP	VOLTS	AMPS	HZ	RPM	ROTATION	CUSTOMER PN
K55HXTNS-9652		STANDARD	1	200	5.9	60	1080	C.C.W. LEAD END	CAT NO. 8068

SHEET NUMBER	REV	REVISION RECORD FOR: C6405-00
1 OF 1	D	UPDATED ENGINEER APPROVED TO B. GAITAN
REVISION DATE		
11-OCT-12		

INFORMATION DISCLOSED ON THIS DOCUMENT IS CONSIDERED PROPRIETARY AND SHALL NOT BE REPRODUCED OR DISCLOSED WITHOUT WRITTEN CONSENT OF NIDEC MOTOR CORPORATION

ALL DIMENSIONS ARE FOR REFERENCE ONLY UNLESS TOLERANCE IS GIVEN

NIDEC MOTOR CORPORATION

ISSUED BY	REVIEWED BY	ENGINEER APPROVED	TITLE	CODE	ITEM NO.	SIZE
R. MORALES	M. LARGENT	B. GAITAN	ASSEMBLED VIEW	V01	748287	A