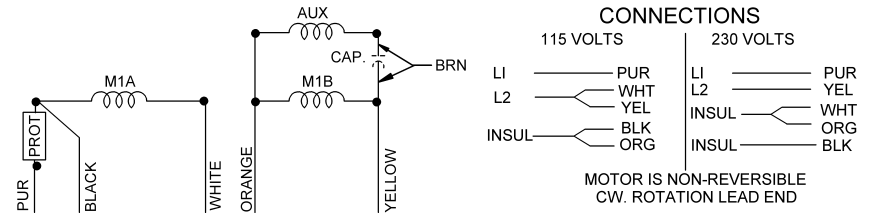
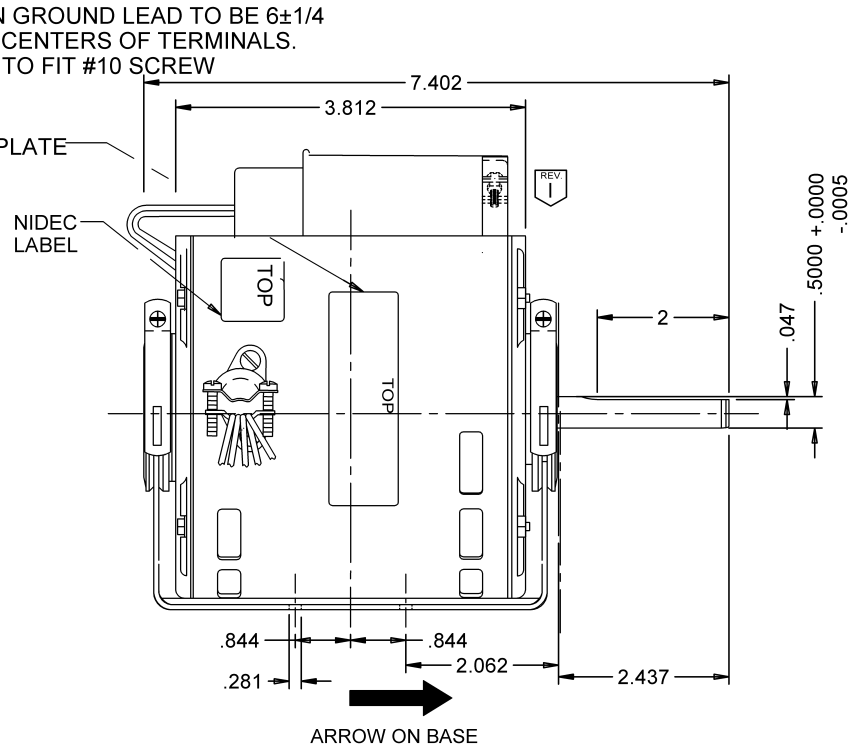


5 LEADS #18 2/64 THICK INSUL  
 TO BE EXTEND BEYOND MOTOR  
 BLACK= 36 +3-0, WHITE= 36 +3-0  
 PURPLE= 36 +3-0, YELLOW= 36 +3-0  
 ORANGE= 36 +3-0



MODEL		REF	CUSTOMER	HP	VOLTS	AMPS	HZ	RPM	ROTATION	CUSTOMER PN	
K48HXWHE-4395			WHOLESALE-HAC	1/6	115/230	2.4/1.2	60	1550	CW LEAD END	722P	
SHEET NUMBER	REV	REVISION RECORD FOR: C8580-00				INFORMATION DISCLOSED ON THIS DOCUMENT IS CONSIDERED PROPRIETARY AND SHALL NOT BE REPRODUCED OR DISCLOSED WITHOUT WRITTEN CONSENT OF NIDEC MOTOR CORPORATION				<b>NIDEC MOTOR CORPORATION</b>	
1 OF 1	I	UPDATED VIEW OF SCREWS									
REVISION DATE											
ISSUED BY	REVIEWED BY	ENGINEER APPROVED	ALL DIMENSIONS ARE FOR REFERENCE ONLY UNLESS TOLERANCE IS GIVEN								
A. SANCHEZ	B. GAITAN	B. GAITAN	TITLE		CODE	ITEM NO.	SIZE				
NIDEC MOTOR CORPORATION 10-Oct-13			ASSEMBLED VIEW		V01	776405	B				