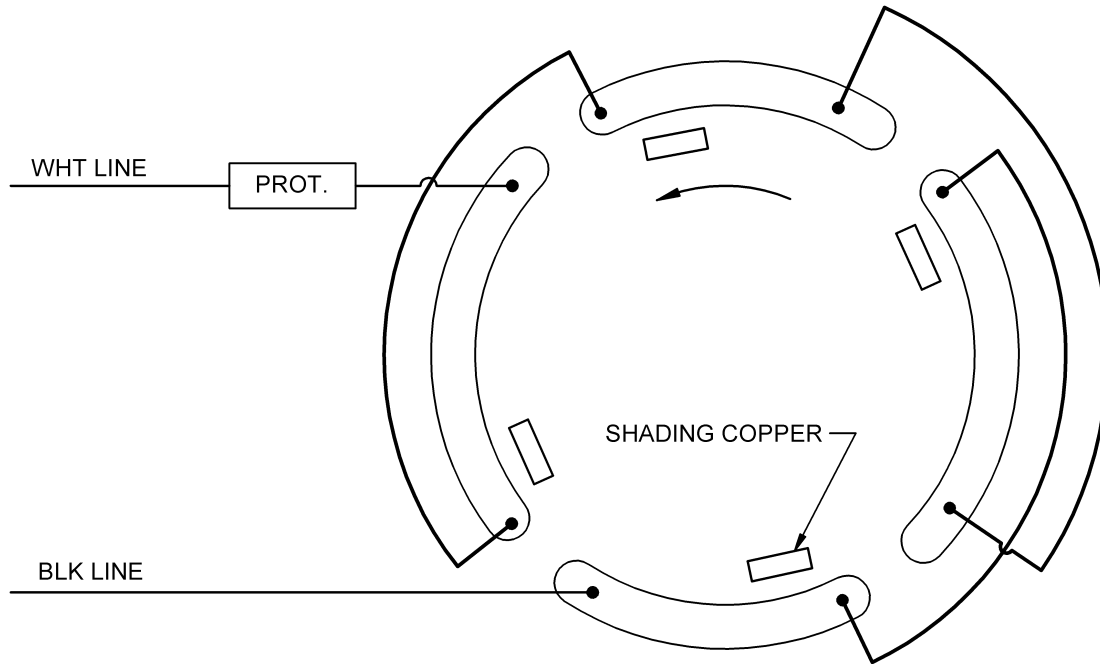


NOTE: LEADS CONNECTIONS TO BE
 STAGGERED ALONG WINDING TO
 ELIMINATE EXCESSIVE BLOCKING
 PRESSURE ON WINDING UNDERNEATH



VIEW FROM CONNECTION
 END L.E. END OPP LEAD

REFER TO SEIM 24-1

REVISION DESCRIPTION FOR: C8396-00		SCALE	UNITS	TITLE		NIDEC MOTOR CORPORATION		
SUP. DWG. DATED: 2/11/60		NONE	INCHES	DIAGRAM OF CONNECTIONS				
LAST REV. DATED: 4/1/69		TOLERANCES ON DIMENSIONS (UNLESS OTHERWISE SPECIFIED)				ISSUED BY		REVISION DATE
UPDATED BACKGROUND TO NIDEC		INCHES	mm	R. GUZMAN		J.I. SALAZAR	20-SEP-13	
MATERIAL:		.XX = ± .01 .XXX = ± .005		CODE	DWG NO.	REV	SHEET NUMBER	DWG SIZE
MUST BE COMPLIANT TO RoHS DIRECTIVE EU 2002/95/IEC AND REGULATION EC 1907/2006 (REACH) AS AMENDED		ANGLES X° = ±1°		D04	140946	A	1 OF 1	A