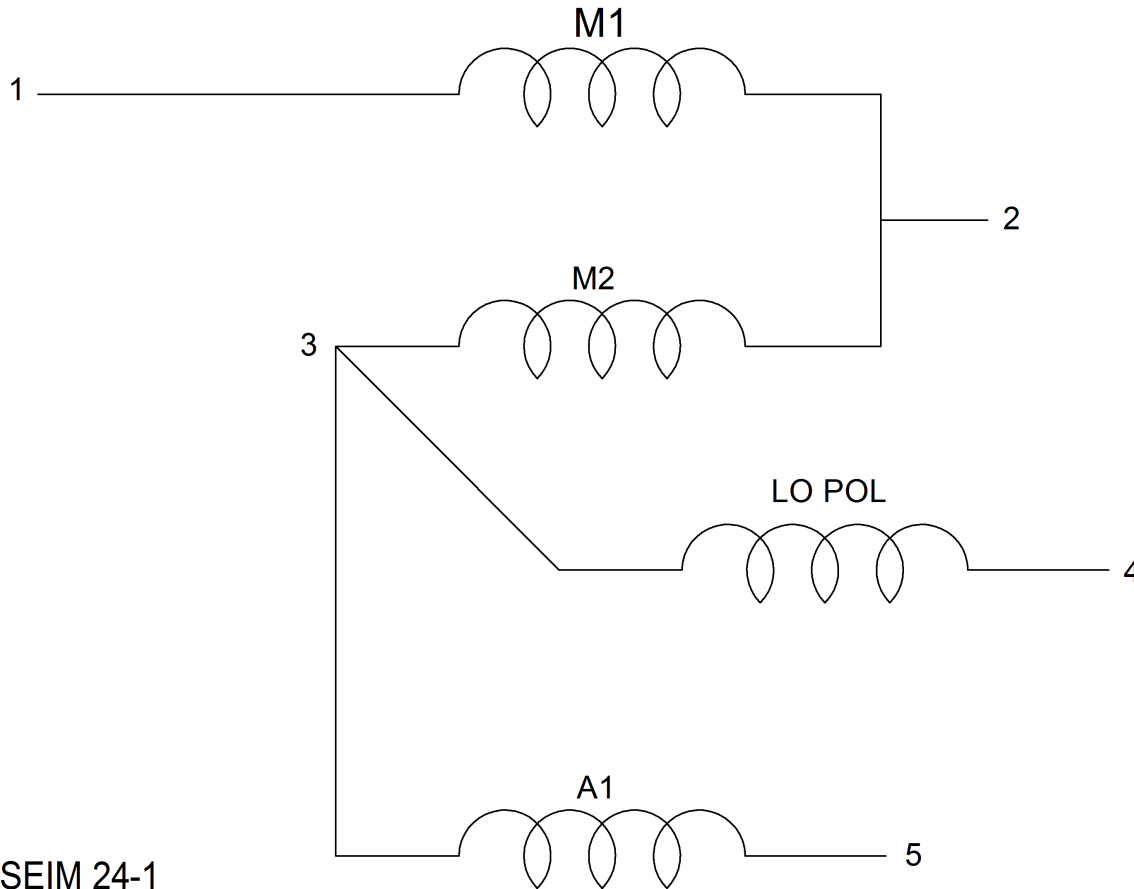


D04 CONN POINT	CONNECTION COMBINATION	
	CCWLE	CWLE
01	ST-M1	ST-M1
02	FN-M1 FN-M2	FN-M1 FN-M2
03	ST-M2 FN-LO ST-A1	ST-M2 FN-LO FN-A1
04	ST-LO	ST-LO
05	FN-A1	ST-A1



REFER TO SEIM 24-1

MULTI-POLE,  
NON-REVERSIBLE,  
W/O ON-WDG. PROT.

REVISION DESCRIPTION FOR: <b>C8396-02</b>		SCALE	UNITS	TITLE		NIDEC MOTOR CORPORATION		
CHANGED MARK FROM EMERSON TO NIDEC.		<b>NONE</b>	<b>INCHES</b>	<b>DIAGRAM OF CONNECTIONS</b>				
CHANGED FROM MICROSTATION TO SOLIDEDGE.		TOLERANCES ON DIMENSIONS (UNLESS OTHERWISE SPECIFIED)				ISSUED BY		REVISION DATE
MATERIAL:		<u>INCHES</u>	<u>mm</u>	E. VICENCIO		J.I. SALAZA	23-SEP-13	
		<b>± .015</b>		CODE	DWG NO.	REV	SHEET NUMBER	DWG SIZE
		ANGLES X°= ±1°		<b>D04</b>	<b>293184</b>	<b>A</b>	<b>1 OF 1</b>	<b>A</b>

NIDEC CONFIDENTIAL  
NIDEC MOTOR CORPORATION 21-Sep-13  
NMCA (MAR-2011)

MUST BE COMPLIANT TO RoHS DIRECTIVE EU 2002/95/IEC AND REGULATION EC 1907/2006 (REACH) AS AMENDED

SOLIDEDGE