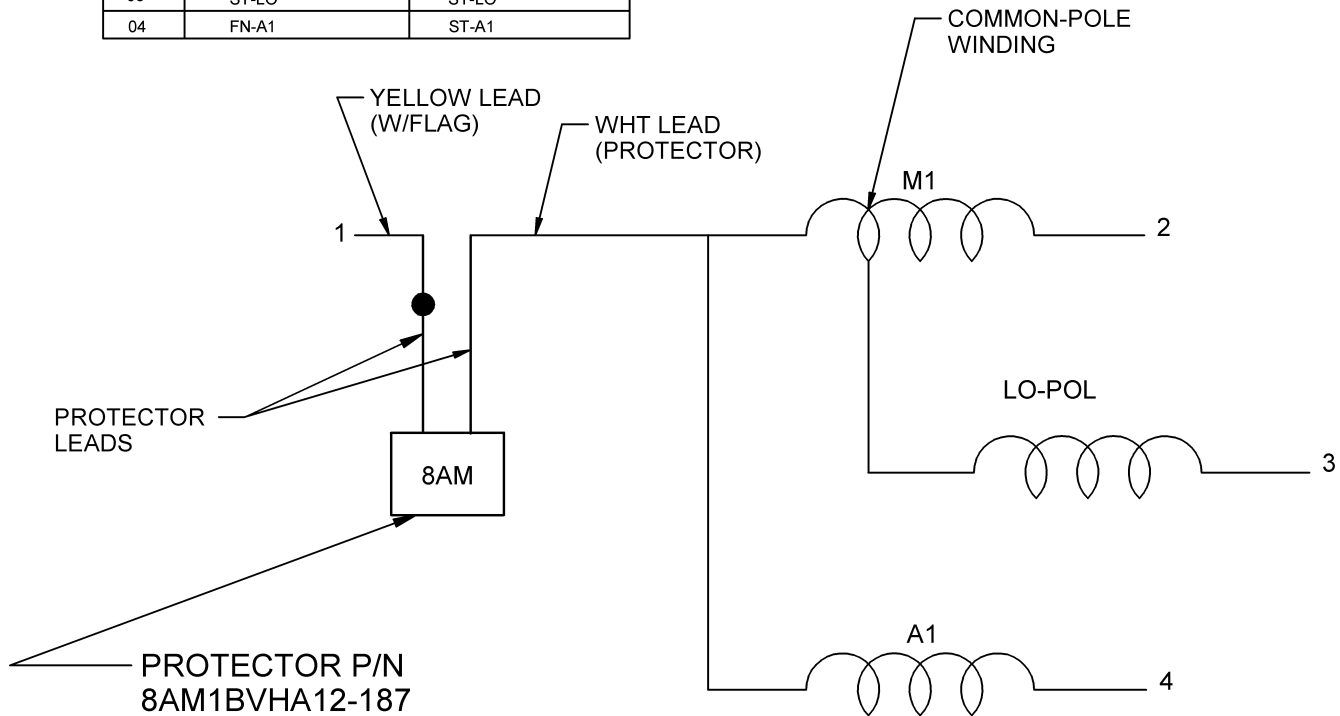


D04 CONN POINT	CONNECTION COMBINATION	
	CCWLE	CWLE
01	ST-M1 ST-A1	ST-M1 FN-A1
02	FN-M1	FN-M1
03	ST-LO	ST-LO
04	FN-A1	ST-A1

**MULTI-POLE,  
NON-REVERSIBLE,  
WITH ON-WDG. PROT.(8AM)**



REFER TO SEIM 24-1

REVISION DESCRIPTION FOR: JC 67127		SCALE	UNITS	TITLE		NIDEC MOTOR CORPORATION	
NEW DRAWING CREATED		NONE	INCHES	DIAGRAM OF CONNECTIONS		REVISION DATE 13-DEC-11	
		TOLERANCES ON DIMENSIONS (UNLESS OTHERWISE SPECIFIED)					
MATERIAL:		INCHES	mm	ISSUED BY	APPROVED BY		
		.XX = ± .01		L. GARZA	C. ROESSLER		
		.XXX = ± .005		CODE	DWG NO.	REV	SHEET NUMBER
		ANGLES X° = ±1°		D04	789917	--	1 OF 1
							DWG SIZE A