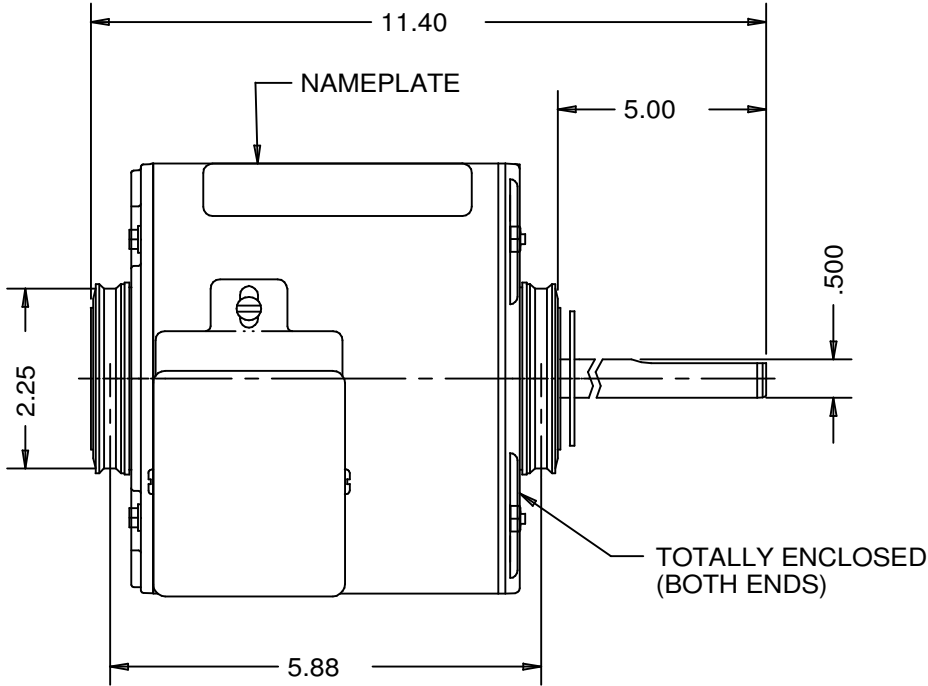
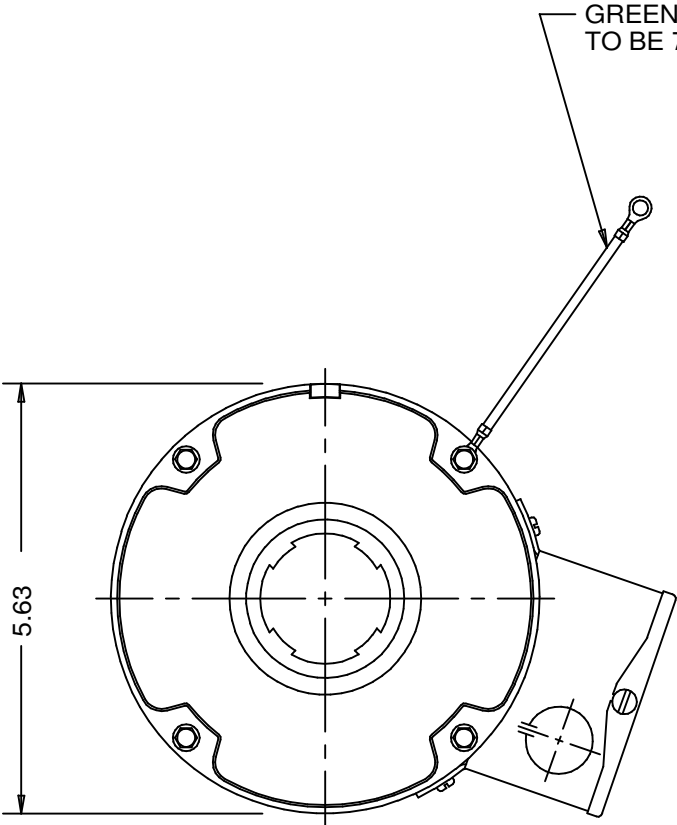


CAPACITOR IS INCLUDED WITH MOTOR.

GREEN GROUND LEAD TO BE 7 INCHES LONG.



NIDEC MOTOR CORPORATION 19-Nov-12

MODEL	REF	CUSTOMER	HP	VOLTS	AMPS	HZ	RPM	ROTATION	CUSTOMER PN
K55XZSEA-1004	-	STANDARD	1/3	208-230/460	2.4/1.2	60	1075	CCW LEAD END REV	6727

SHEET NUMBER	REV	REVISION RECORD FOR: C6403-02
1 OF 1	C	UPDATED "ENGINEER APPROVED" TO B. GAITAN
REVISION DATE		
16-NOV-12		

INFORMATION DISCLOSED ON THIS DOCUMENT IS CONSIDERED PROPRIETARY AND SHALL NOT BE REPRODUCED OR DISCLOSED WITHOUT WRITTEN CONSENT OF NIDEC MOTOR CORPORATION

**NIDEC MOTOR CORPORATION**

ALL DIMENSIONS ARE FOR REFERENCE ONLY UNLESS TOLERANCE IS GIVEN

ISSUED BY	REVIEWED BY	ENGINEER APPROVED	REV.
B. ANDRADE	M. LARGENT	B. GAITAN	C

TITLE	CODE	ITEM NO.	SIZE
ASSEMBLED VIEW	V01	243744	A