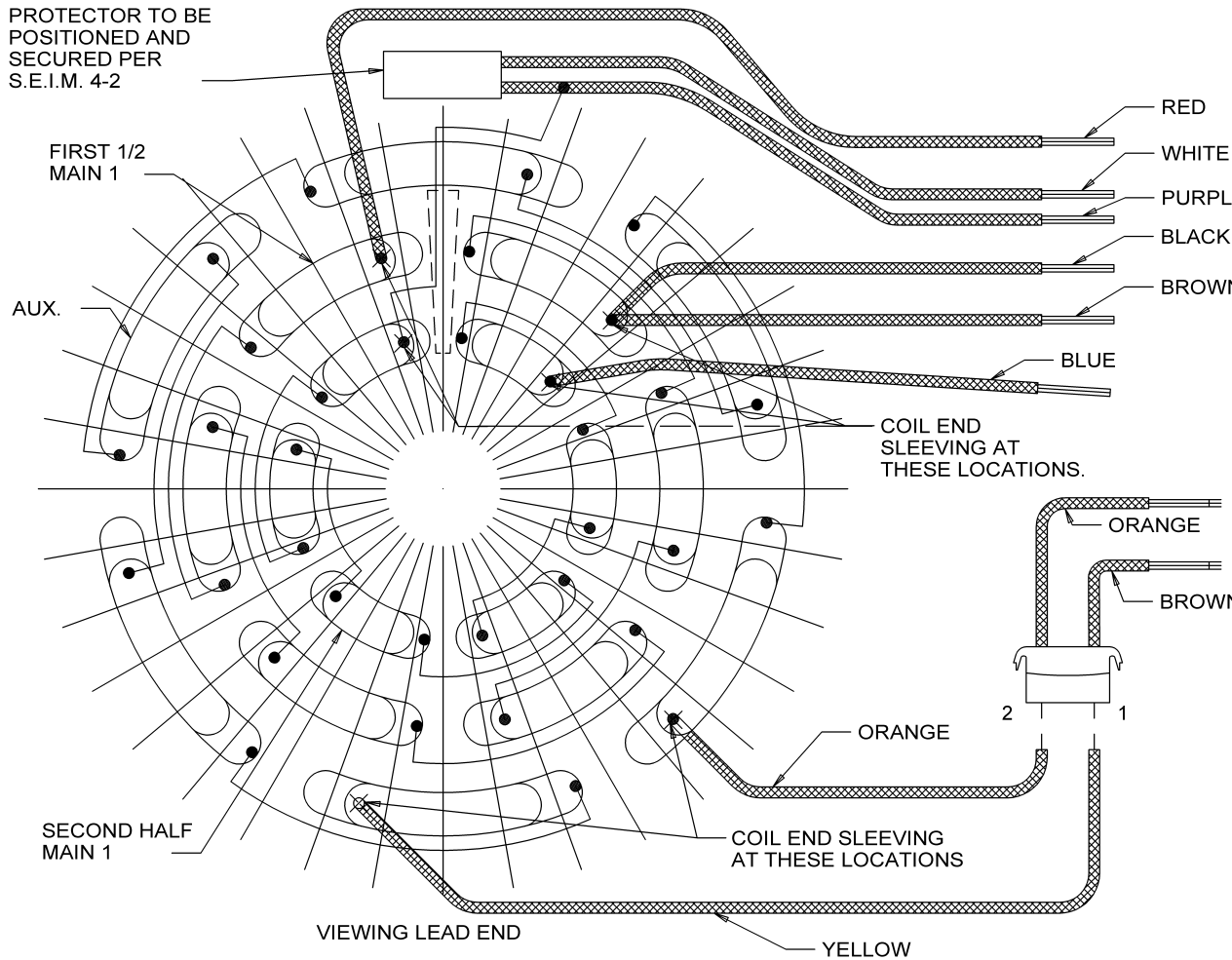
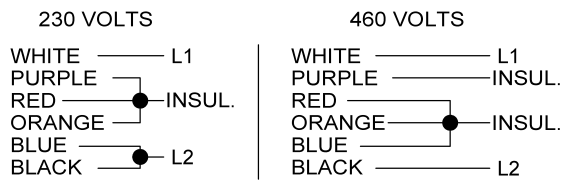


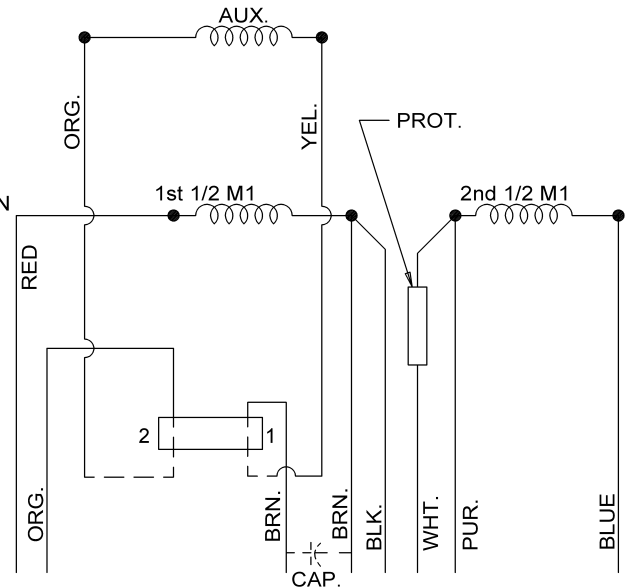
PROTECTOR TO BE POSITIONED AND SECURED PER S.E.I.M. 4-2



ROTATION IS C.W. VIEWING LEAD END TO REVERSE ROTATION INTERCHANGE YELLOW & ORANGE LEADS.



NOTE: MAIN COILS IMMEDIATELY ADJACENT TO EITHER SIDE OF DOTTED AREA ARE TO BE SEPARATED BY A MINIMUM OF .094 ON BOTH ENDS OF STATOR.



REFER TO SEIM 24-1

REVISION DESCRIPTION FOR: C8396-01	SCALE: NONE	UNITS: IN	TITLE: DIAGRAM OF CONNECTIONS	NIDEC MOTOR CORPORATION
UPDATED BACKGROUND TO NIDEC	TOLERANCES ON DIMENSIONS (UNLESS OTHERWISE SPECIFIED)			
MATERIAL:	INCHES: XX = ± .01 .XXX = ± .005	mm	ISSUED BY: A. SANCHEZ	APPROVED BY: J.I. SALAZAR
	ANGLES X° = ±1°		REVISION DATE: 20-SEP-13	REV: A
			CODE: D04	DWG NO.: 242815
			REV: A	SHEET NUMBER: 1 OF 1
				DWG SIZE: B

REV A
NIDEC CONFIDENTIAL
NIDEC MOTOR CORPORATION 19-Sep-13