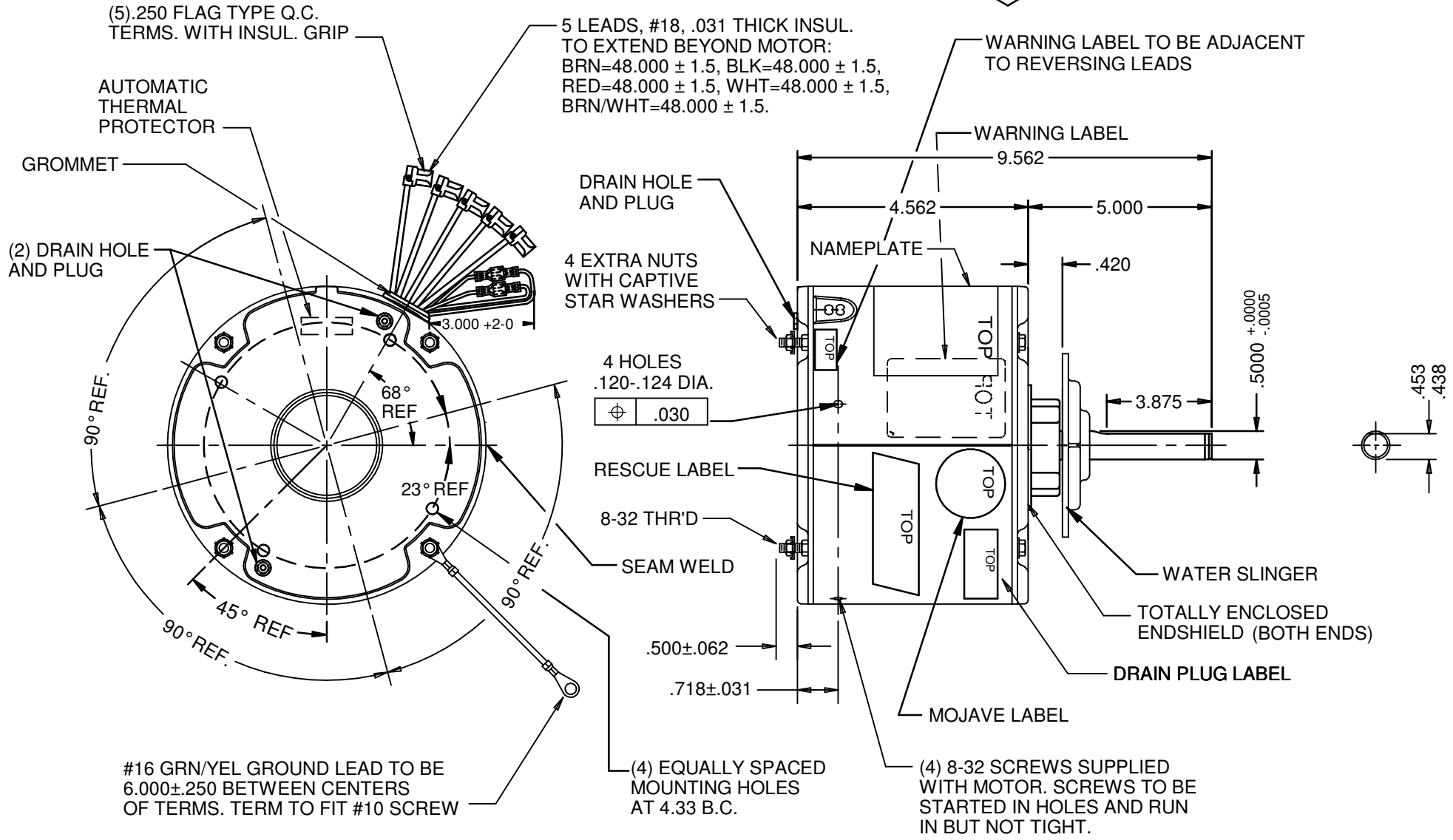




NOTE: (4) SCREWS INCLUDED IN CARTON



NIDEC MOTOR CORPORATION 10-Apr-19

MODEL	REF	CUSTOMER	HP	VOLTS	AMPS	HZ	RPM	ROTATION	CUSTOMER PN
K55HXCLF-586		WHOLESALE-HAC	1/3-1/6	208-230	2.6/1.8	60	1075 & 2SPD	CCW LEAD END REV	5462H

SHEET NUMBER	REV	REVISION RECORD FOR: E34194
1 OF 1	Q	DELETED INSTRUCTION FORM
REVISION DATE		
11-APR-19		

INFORMATION DISCLOSED ON THIS DOCUMENT IS CONSIDERED PROPRIETARY AND SHALL NOT BE REPRODUCED OR DISCLOSED WITHOUT WRITTEN CONSENT OF NIDEC MOTOR CORPORATION

ALL DIMENSIONS ARE FOR REFERENCE ONLY UNLESS TOLERANCE IS GIVEN

NIDEC MOTOR CORPORATION		
TITLE	CODE	ITEM NO.
ASSEMBLED VIEW	V01	772161
SIZE		
A		

ISSUED BY	REVIEWED BY	ENGINEER APPROVED
D. VALLE	K. MORT	B. GAITAN