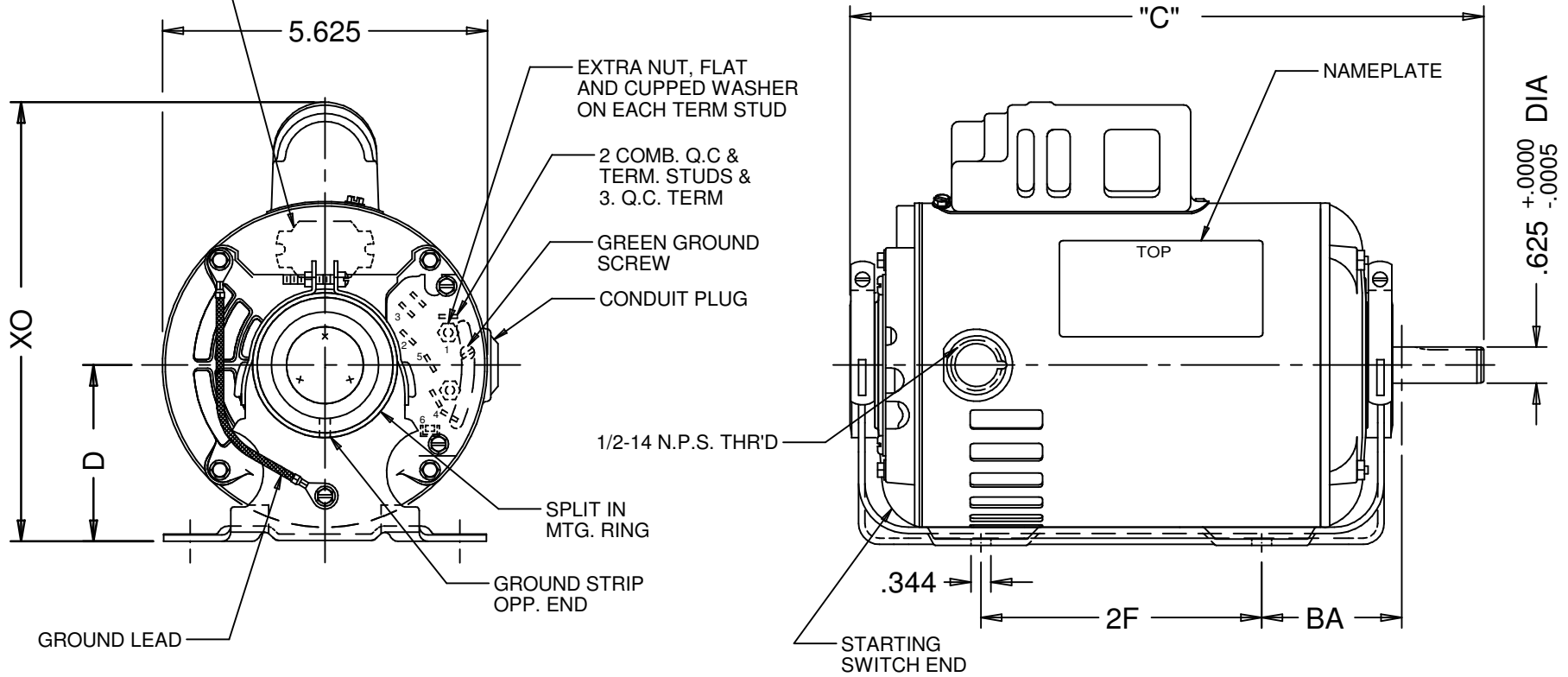


THERMAL PROTECTOR
(SEE CHART)



C	D	2F	N-W	BA	XO	PROTECTOR	CAT. NO.
11.312	3	2.750	1.875	2.500	7.406	AUTOMATIC	431

NIDEC MOTOR CORPORATION 10-Oct-12

TAPE SHAFT KEY TO MOTOR

MODEL	REF	CUSTOMER	HP	VOLTS	AMPS	HZ	RPM	ROTATION	CUSTOMER PN
CA55CXTZ-431	-	STANDARD	1	115/208-230	11.6/5.8	60	3450	CCW LEAD END REV	431

SHEET NUMBER	REV	REVISION RECORD FOR: C6401-00	
1 OF 1	G	UPDATED ENGINEER APPROVED TO B. GAITAN.	
REVISION DATE			
10-OCT-12			
ISSUED BY	REVIEWED BY	ENGINEER APPROVED	REV.
R. MORALES	M. LARGENT	B. GAITAN	G

INFORMATION DISCLOSED ON THIS DOCUMENT IS CONSIDERED PROPRIETARY AND SHALL NOT BE REPRODUCED OR DISCLOSED WITHOUT WRITTEN CONSENT OF NIDEC MOTOR CORPORATION

ALL DIMENSIONS ARE FOR REFERENCE ONLY UNLESS TOLERANCE IS GIVEN

TITLE	CODE	ITEM NO.	SIZE
ASSEMBLED VIEW	V01	229914	A

NIDEC MOTOR CORPORATION