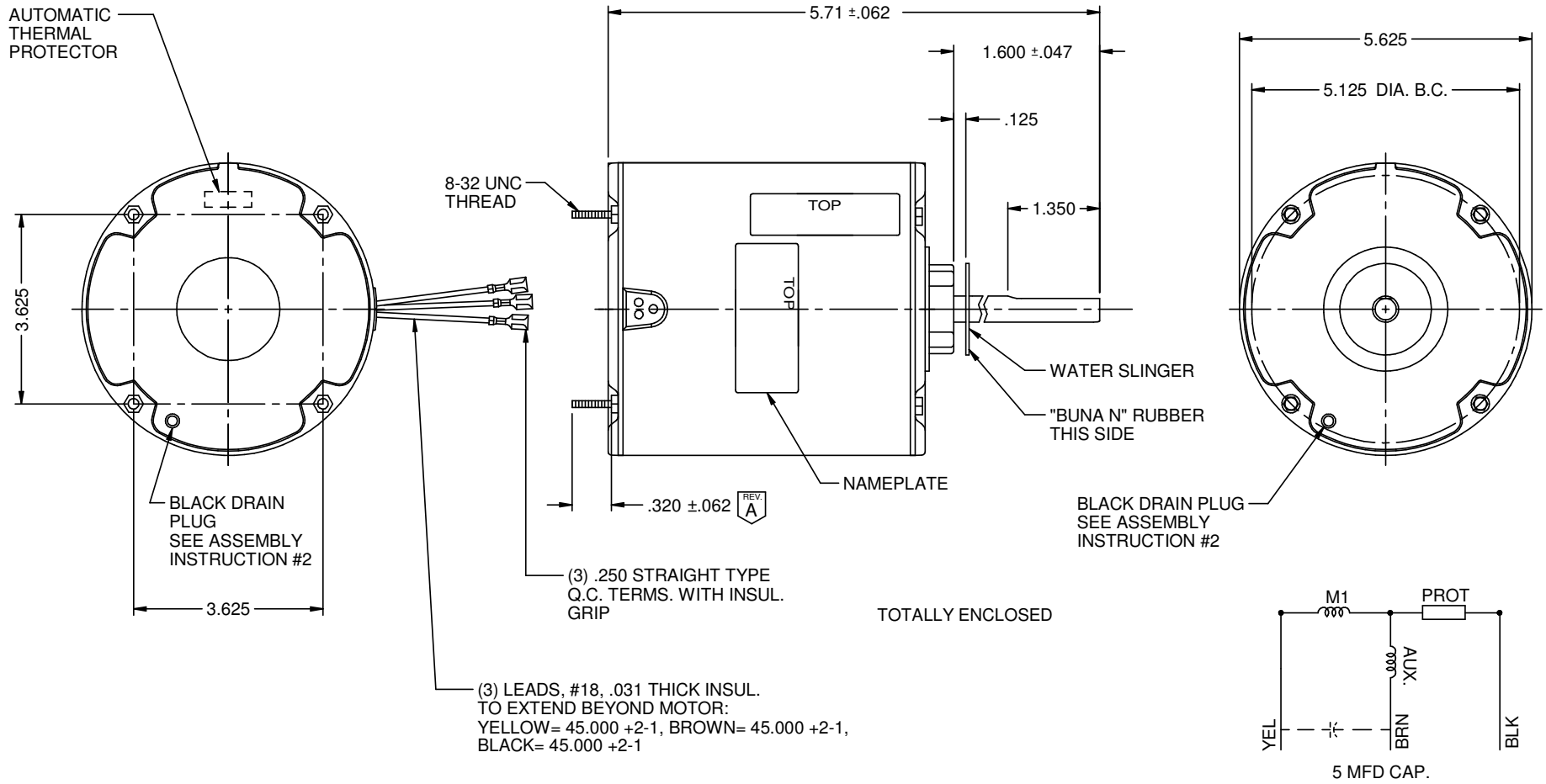


MODEL	REF.	CUSTOMER	HP	VOLTS	AMPS	HZ	RPM	ROTATION	CATALOG NO.	DESCRIPTION / REMARKS
K55HXS WF-7924		WHOLESALE HAC	1/12	208-230	.67	60	1100	CW LEAD END		



TOTALLY ENCLOSED

NIDEC MOTOR CORPORATION 23-Oct-17

REFER TO S.E.I.M. 24-1

REVISION RECORD FOR: ECO E29947	
ADDED STUD LENGTH AND TOLERANCE ON PAGES 1 & 2.	
ISSUED BY: G. MEDINA	ENGINEER APPROVED: H. NAVARRO

DIMENSIONS ARE FOR REFERENCE ONLY
UNLESS TOLERANCE IS SPECIFIED

NIDEC MOTOR CORPORATION			
INFORMATION DISCLOSED ON THIS DOCUMENT IS CONSIDERED PROPRIETARY AND SHALL NOT BE REPRODUCED OR DISCLOSED WITHOUT WRITTEN CONSENT OF NIDEC MOTOR CORPORATION			REVISION DATE: 23-OCT-17
TITLE	CODE	ITEM NO.	REV
CUSTOMER DETAIL DRAWING	V02	815692	A
SHEET NUMBER		DWG SIZE	
1 OF 3		B	