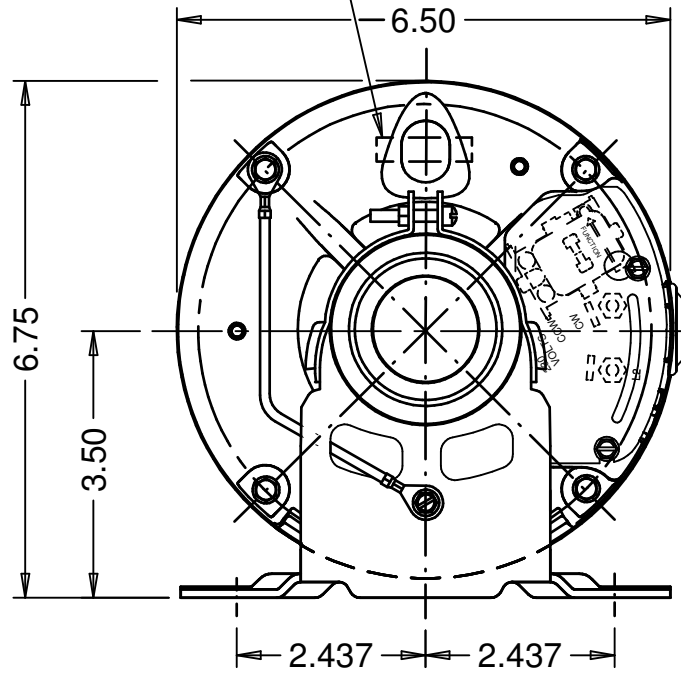
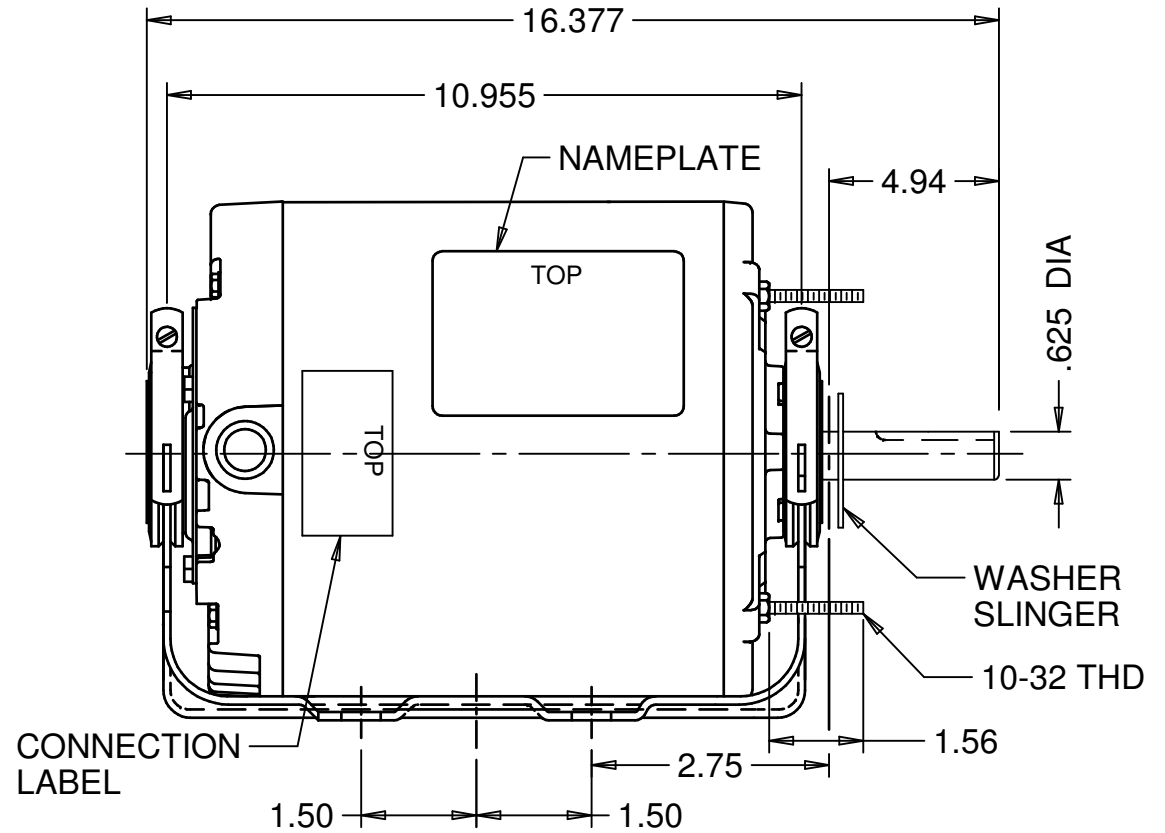


AUTOMATIC THERMAL PROTECTOR



SHAFT KEY TAPED TO MOTOR



NOTES:

- 1.) CAPACITOR CONNECTED BETWEEN BROWN AND ORANGE LEADS.
- 2.) CUSTOMER TO SUPPLY 20 MFD/370 VAC CAPACITOR.
- 3.) SUPPLIED DETACHED:

REV.
H

 1-GASKET ASM
- 4.) CAPACITOR LEADS TO EXTEND 20.00 +2.00-1.00 BEYOND MOTOR.

NIDEC MOTOR CORPORATION 16-May-19

BALL BEARING

MODEL	REF	CUSTOMER	HP	VOLTS	AMPS	HZ	RPM	ROTATION	CUSTOMER PN
K63ZZWG-3925		STANDARD	1 1/2	208-230/460	7.5/3.8	60	1075	CCW LEAD END REV	2896

SHEET NUMBER 1 OF 1	REV H	REVISION RECORD FOR: ECO E34367	
		DELETED NOTE INFORMATION	
REVISION DATE 16-MAY-19		REVIEWED BY K. MORT	ENGINEER APPROVED B. GAITAN

<p>INFORMATION DISCLOSED ON THIS DOCUMENT IS CONSIDERED PROPRIETARY AND SHALL NOT BE REPRODUCED OR DISCLOSED WITHOUT WRITTEN CONSENT OF NIDEC MOTOR CORPORATION</p> <p>ALL DIMENSIONS ARE FOR REFERENCE ONLY UNLESS TOLERANCE IS GIVEN</p>
<p>TITLE ASSEMBLED VIEW</p>

NIDEC MOTOR CORPORATION	
CODE V01	ITEM NO. 269167
SIZE A	