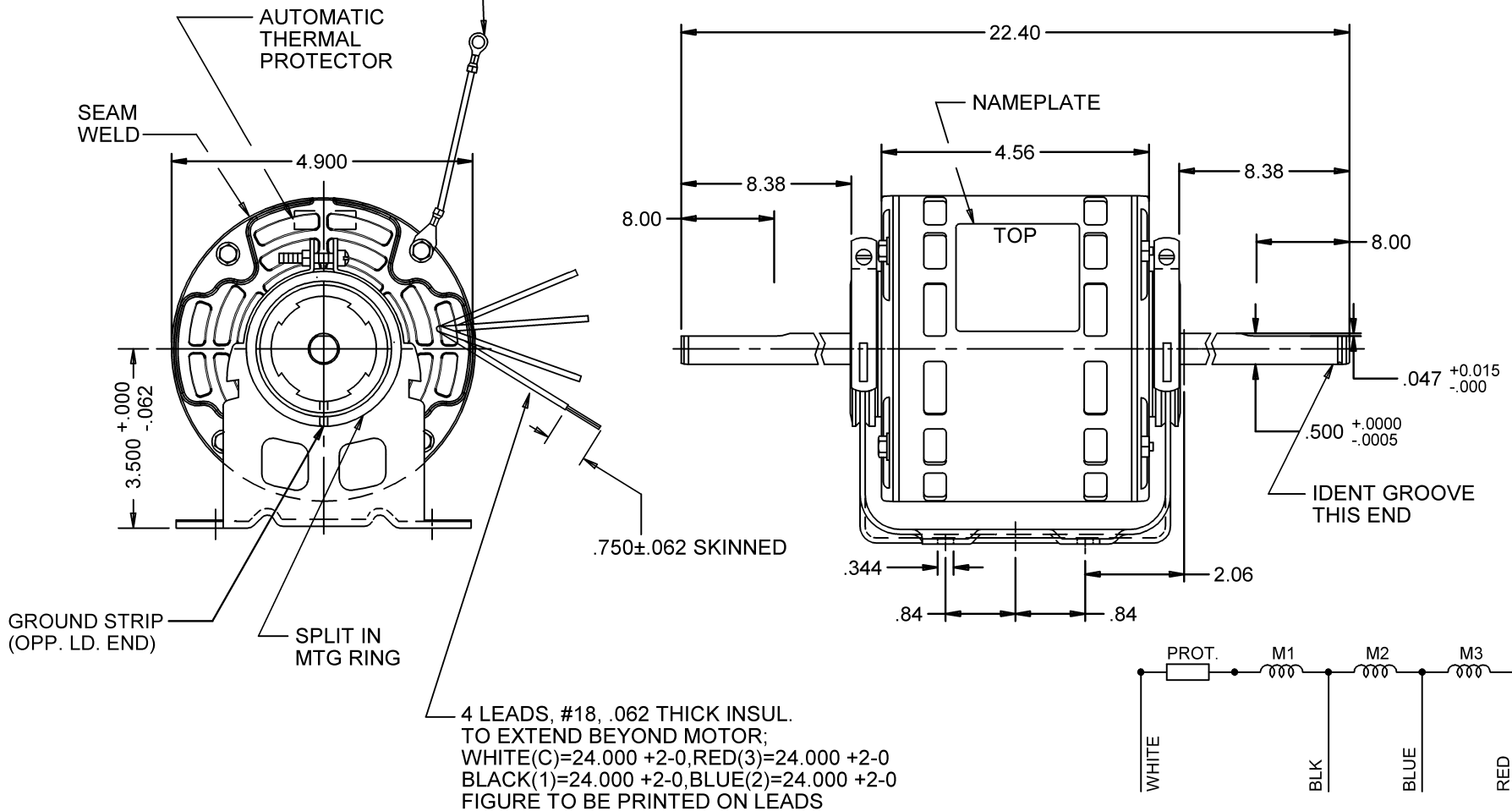


SUPPLIED DETACHED
1 - BOOKLET

#16, GRN GRD LEAD TO BE
12.000±.250 BETWEEN CENTERS
OF TERMS., TERM TO FIT #10 SCREW.



REV. E

NIDEC MOTOR CORPORATION 14-Nov-12

MODEL	REF	CUSTOMER	HP	VOLTS	AMPS	HZ	RPM	ROTATION	CUSTOMER PN
F48HXFGM-2658		STANDARD	1/10	115	3.8	60	1550/3SPD	CCW LEAD END	CAT. NO.2817

SHEET NUMBER 1 OF 1	REV E	REVISION RECORD FOR: C6473-00	
		UPDATED BACKGROUND TO NIDEC	
REVISION DATE			
13-NOV-12			

INFORMATION DISCLOSED ON THIS DOCUMENT IS CONSIDERED PROPRIETARY AND SHALL NOT BE REPRODUCED OR DISCLOSED WITHOUT WRITTEN CONSENT OF NIDEC MOTOR CORPORATION

NIDEC MOTOR CORPORATION

ISSUED BY R. MORALES			REVIEWED BY J. I. SALAZAR		ENGINEER APPROVED B. GAITAN		TITLE ASSEMBLED VIEW		CODE V01	ITEM NO. 752662	SIZE A
-------------------------	--	--	------------------------------	--	--------------------------------	--	-------------------------	--	-------------	--------------------	-----------