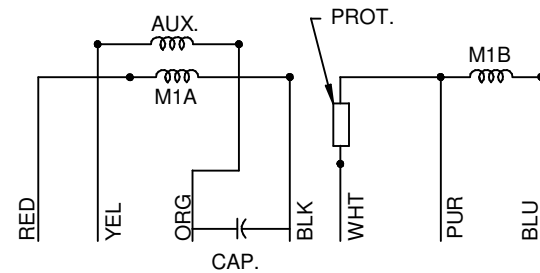
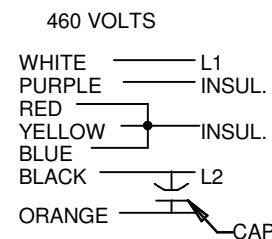
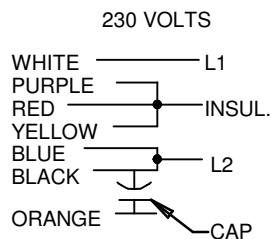
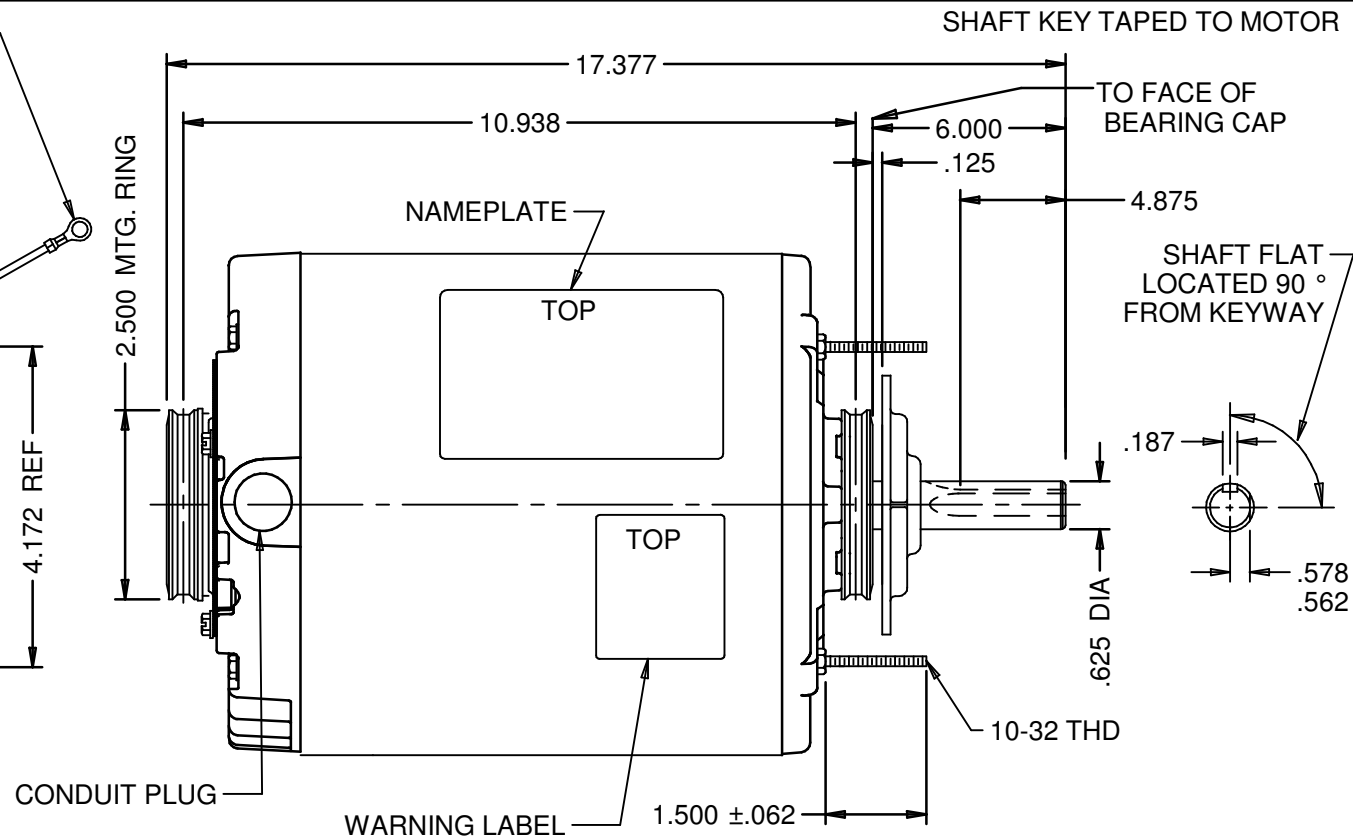


7 LEADS, #18, .031 THICK INSUL. TO EXTEND BEYOND MOTOR.
 WHT = 6.000±1.0, BLK = 6.000±1.0, PUR = 6.000±1.0,
 ORG = 6.000±1.0, BLU = 6.000±1.0, RED = 6.000±1.0,
 YEL = 6.000±1.0.

LEADS TO BE DISCONNECTED AND BUNDLED UNDER TERM COVER IN INTERNAL CONDUIT BOX PRIOR TO SHIPMENT.



TO REVERSE ROTATION INTERCHANGE YELLOW AND ORANGE LEADS.

NIDEC MOTOR CORPORATION 22-Oct-12

MODEL	REF	CUSTOMER	HP	VOLTS	AMPS	HZ	RPM	ROTATION	CUSTOMER PN
K63ZZSY-4626		STANDARD	1 1/2	208-230/460	8.5-7.6/3.8	60	1075	REVERSIBLE	2204

SHEET NUMBER	REV	REVISION RECORD FOR: C6406-00
1 OF 1	D	UPDATED "ENGINEER APPROVED" TO B. GAITAN
REVISION DATE		
22-OCT-12		

INFORMATION DISCLOSED ON THIS DOCUMENT IS CONSIDERED PROPRIETARY AND SHALL NOT BE REPRODUCED OR DISCLOSED WITHOUT WRITTEN CONSENT OF NIDEC MOTOR CORPORATION

ALL DIMENSIONS ARE FOR REFERENCE ONLY UNLESS TOLERANCE IS GIVEN

NIDEC MOTOR CORPORATION	
TITLE	CODE
ASSEMBLED VIEW	V01
ITEM NO.	SIZE
332777	A

ISSUED BY	REVIEWED BY	ENGINEER APPROVED	REV.
B. ANDRADE	M. LARGENT	B. GAITAN	D