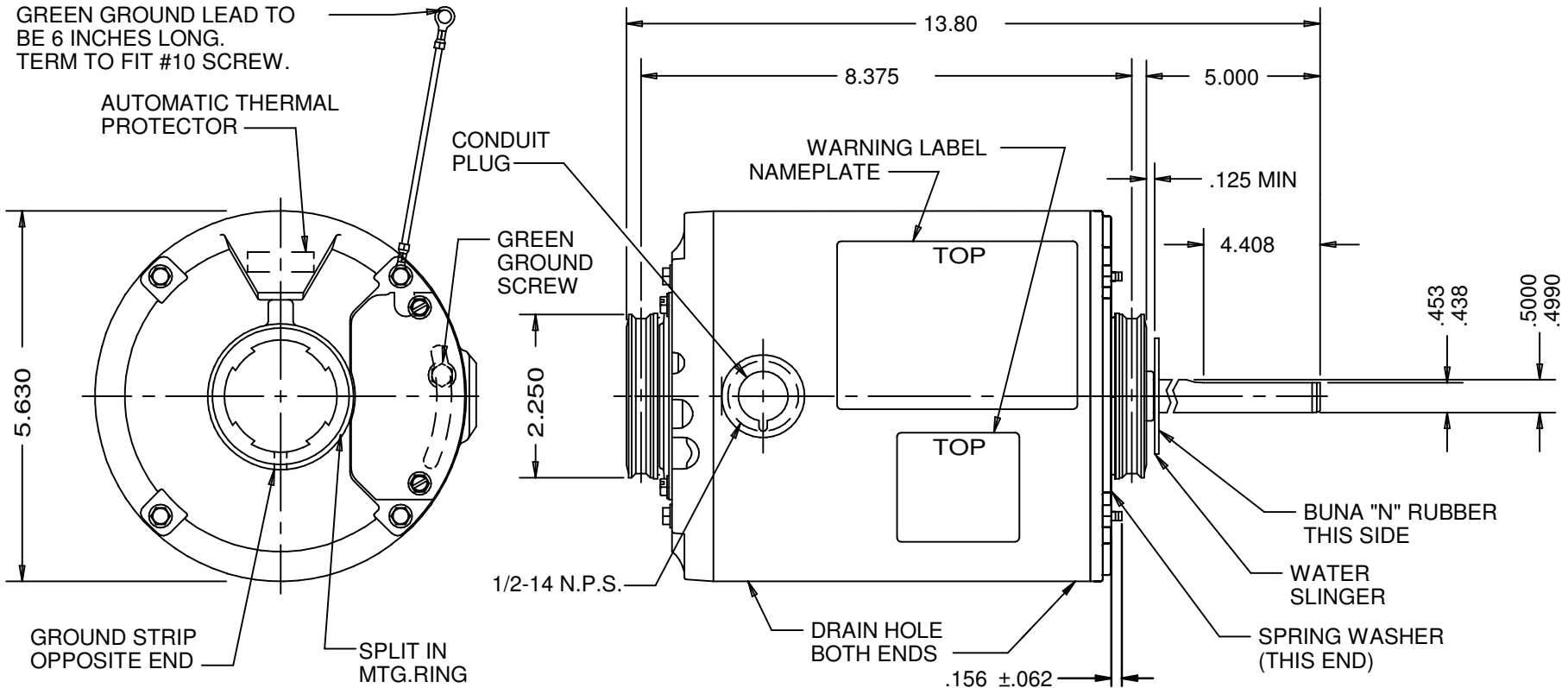
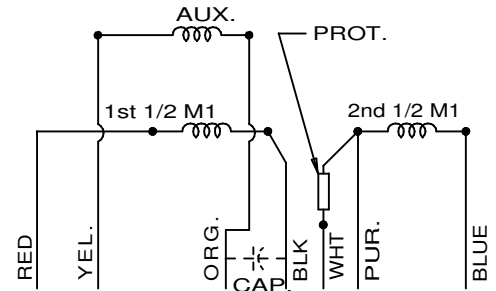
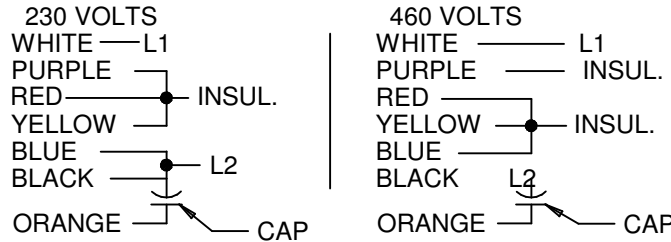


GREEN GROUND LEAD TO BE 6 INCHES LONG. TERM TO FIT #10 SCREW.



7 LEADS, #18, .031 THICK INSUL. TO EXTEND BEYOND MOTOR.
 WHT=6.000±1.0, BLK=6.000±1.0,
 PUR=6.000±1.0, ORG=6.000±1.0,
 BLU=6.000±1.0, RED=6.000±1.0,
 YEL=6.000±1.0
 LEADS TO BE DISCONNECTED AND BUNDLED UNDER TERMINAL COVER IN INTERNAL CONDUIT BOX FOR SHIPMENT.

ROTATION IS C.CW. VIEWING LEAD END.
 CONNECTED AS SHOWN. TO REVERSE ROTATION INTERCHANGE YELLOW AND ORANGE LEADS.



NIDEC MOTOR CORPORATION 15-Oct-12

MODEL	REF	CUSTOMER	HP	VOLTS	AMPS	HZ	RPM	ROTATION	CUSTOMER PN
K55HXSYD-7993		STANDARD	3/4	208-230/460	4.8-4.6/2.3	60	1075	CCW LEAD END REV.	2202

SHEET NUMBER	REV	REVISION RECORD FOR:
1 OF 1	E	C6404-00
UPDATED ENGINEER APPROVED TO B. GAITAN		
REVISION DATE		
15-OCT-12		

INFORMATION DISCLOSED ON THIS DOCUMENT IS CONSIDERED PROPRIETARY AND SHALL NOT BE REPRODUCED OR DISCLOSED WITHOUT WRITTEN CONSENT OF NIDEC MOTOR CORPORATION

NIDEC MOTOR CORPORATION

ALL DIMENSIONS ARE FOR REFERENCE ONLY UNLESS TOLERANCE IS GIVEN

ISSUED BY	REVIEWED BY	ENGINEER APPROVED	REV.	TITLE	CODE	ITEM NO.	SIZE
R. MORALES	M. LARGENT	B. GAITAN	E	ASSEMBLED VIEW	V01	333204	A