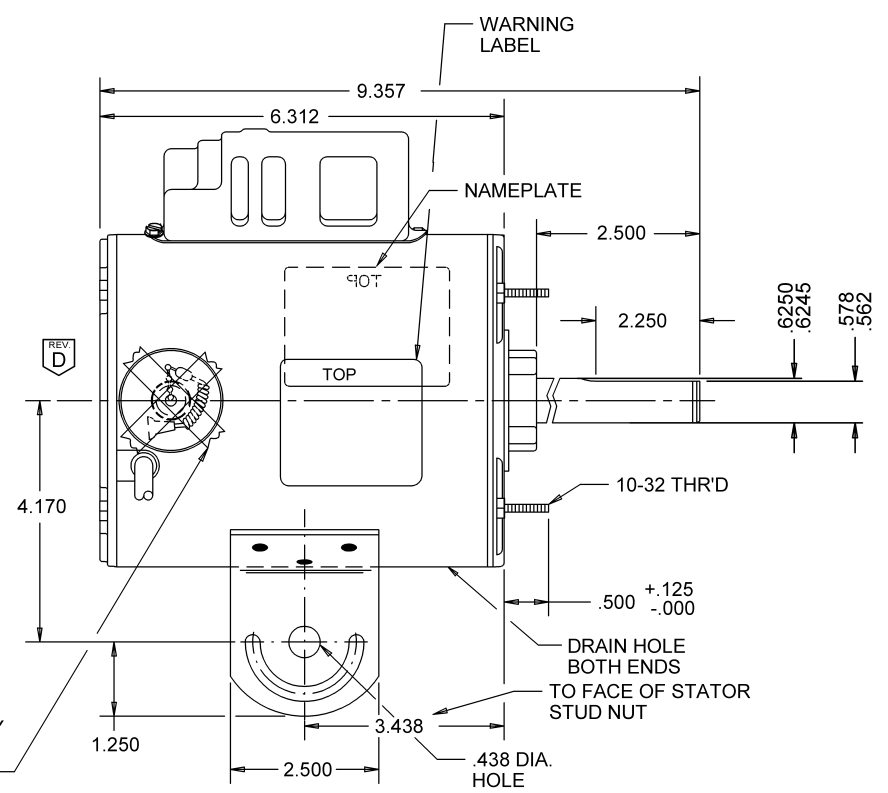


AUTOMATIC THERMAL PROTECTOR

#18 GA. TYPE SJT THERMOPLASTIC 300V. 3 COND. CORD TO EXTEND 120±3 BEYOND MOTOR.

LOCKWASHER BETWEEN BELL NUT AND SHELL



WARNING LABEL

NAMEPLATE

TOP

REV D

PULL CHAIN SWITCH: CORD ATTACHED AND HANKED AND SECURELY TAPED INSIDE PROTECTIVE SLEEVE.

DRAIN HOLE BOTH ENDS TO FACE OF STATOR STUD NUT

MODEL	REF	CUSTOMER	HP	VOLTS	AMPS	HZ	RPM	ROTATION	CUSTOMER PN		
K55HXBEF-8607	-	WHOLESALE - HAC	1/2	115	7.1	60	1075/2 SPD	CCW LEAD END	1937		
SHEET NUMBER 1 OF 1	REV D	REVISION RECORD FOR: C4302-00			INFORMATION DISCLOSED ON THIS DOCUMENT IS CONSIDERED PROPRIETARY AND SHALL NOT BE REPRODUCED OR DISCLOSED WITHOUT WRITTEN CONSENT OF NIDEC MOTOR CORPORATION				NIDEC MOTOR CORPORATION		
CHANGED POSITION OF WARNIG LABEL.											
REVISION DATE 15-SEP-11											
ALL DIMENSIONS ARE FOR REFERENCE ONLY UNLESS TOLERANCE IS GIVEN											
ISSUED BY E. VICENCIO			REVIEWED BY J.I. SALAZAR		ENGINEER APPROVED J.I. SALAZAR		TITLE ASSEMBLED VIEW		CODE V01	ITEM NO. 752401	SIZE B

NIDEC MOTOR CORPORATION 22-Sep-11

V01_NMC9 (MAR-2011)

SOLIDEDGE