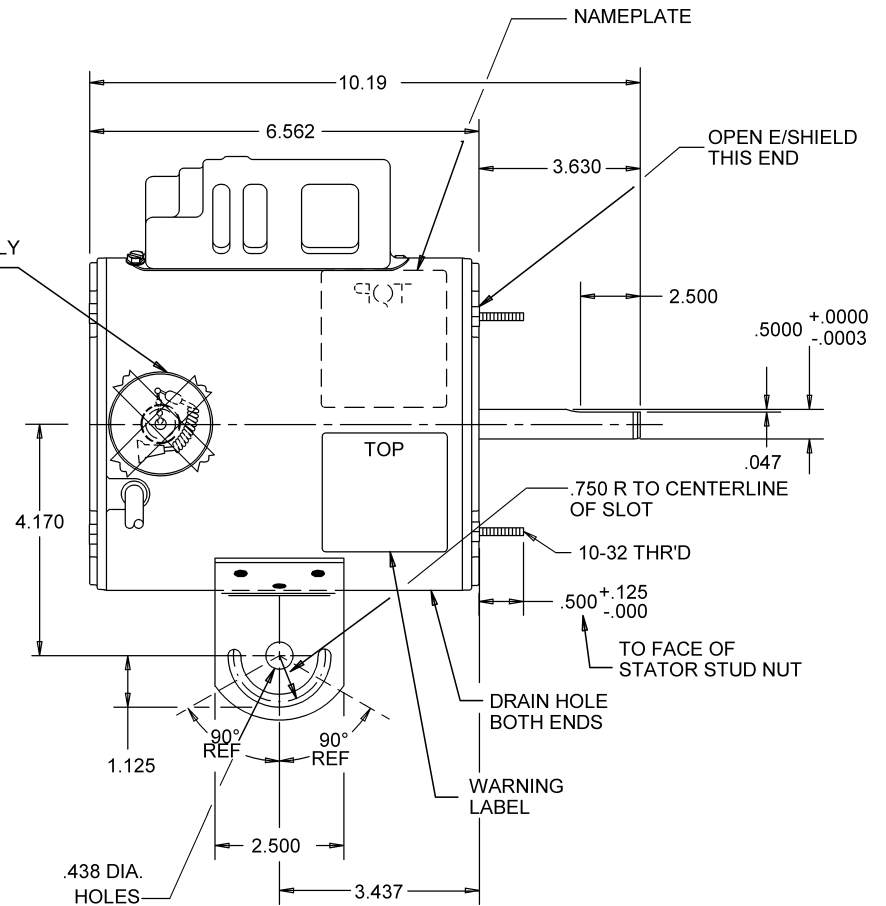


#18 GA. TYPE SJT THERMOPLASTIC
 300V. 3 COND CORD TO EXTEND
 120.000±3.00 BEYOND MOTOR
 NEMA 5-15 PLUG

PULL CHAIN SWITCH:
 CORD ATTACHED AND
 HANKED AND SECURELY
 TAPED INSIDE
 PROTECTIVE SLEEVE



MODEL	REF	CUSTOMER	HP	VOLTS	AMPS	HZ	RPM	ROTATION	CUSTOMER PN		
K55HXDAC-8802		USEM	1/4	115	5.7	60	1075/2SPD	CCW LEAD END	1933		
REVISION RECORD FOR: C4997-02				INFORMATION DISCLOSED ON THIS DOCUMENT IS CONSIDERED PROPRIETARY AND SHALL NOT BE REPRODUCED OR DISCLOSED WITHOUT WRITTEN CONSENT OF NIDEC MOTOR CORPORATION				NIDEC MOTOR CORPORATION			
SHEET NUMBER	REV	UPDATED BACKGROUND TO NIDEC.									
1 OF 1	D										
REVISION DATE											
ALL DIMENSIONS ARE FOR REFERENCE ONLY UNLESS TOLERANCE IS GIVEN				TITLE		CODE	ITEM NO.	SIZE			
ISSUED BY				REVIEWED BY		ENGINEER APPROVED		ASSEMBLED VIEW	V01	752389	B
24-JAN-12				B. ANDRADE		J. I. SALAZAR		J. I. SALAZAR			



NIDEC MOTOR CORPORATION 24-Jan-12