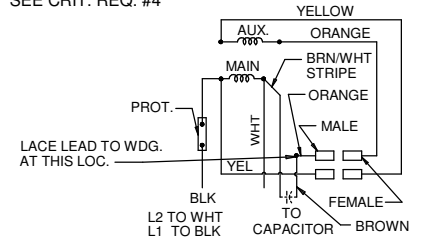
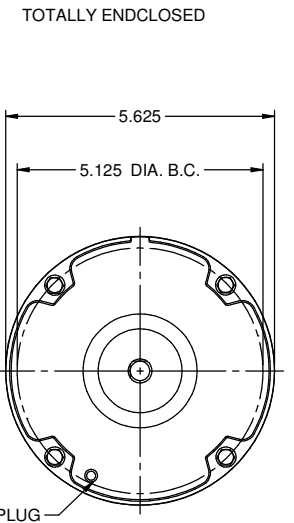
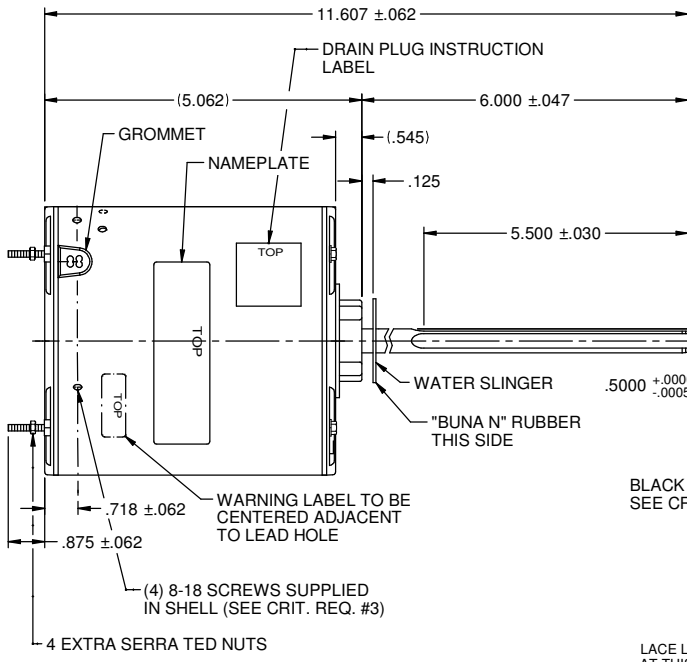
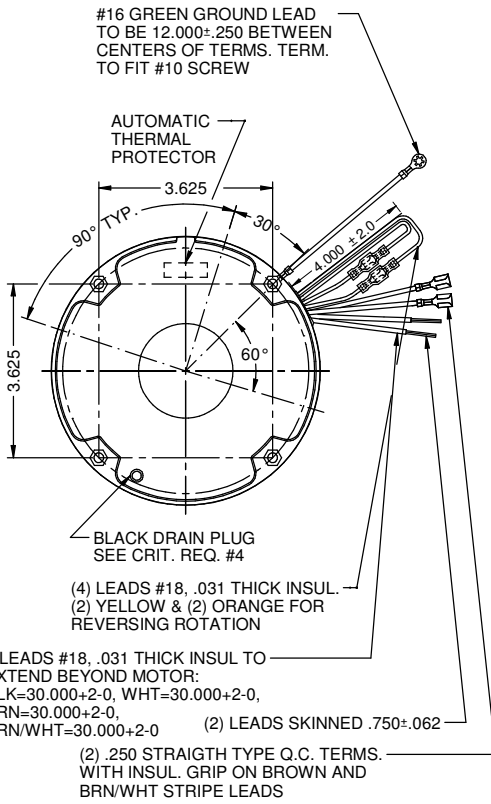


MODEL	REF	CUSTOMER	HP	VOLTS	AMPS	HZ	RPM	ROTATION	CUSTOMER PART	DESCRIPTION / REMARKS
K55HXCLL-1467	D35132-X3	WHOLESALE-HAC	1/3-1/5	208-230	2.4-1.4	60	825	C.C.W. LEAD END REV	-----	K55 STUD MTD., SELF - ALIGN SLEEVE BRG.



ROTATION IS C.C.W. VIEWING LEAD END WITH ORG. TO ORG. & YEL. TO YEL. TO REVERSE INTECHANGE ORG. & YEL. LEADS

REFER TO S.E.I.M. 24-1

NIDEC MOTOR CORPORATION 03-Dec-18		REVISION RECORD FOR: ECO: E32856		DIMENSIONS ARE FOR REFERENCE ONLY		NIDEC MOTOR CORPORATION							
CREATED NEW DRAWING						INFORMATION DISCLOSED ON THIS DOCUMENT IS CONSIDERED PROPRIETARY AND SHALL NOT BE REPRODUCED OR DISCLOSED WITHOUT WRITTEN CONSENT OF NIDEC MOTOR CORPORATION							
ISSUED BY: F. GARCIA		ENGINEER APPROVED: M. DE LEON		UNLESS TOLERANCE IS SPECIFIED		TITLE: CUSTOMER DETAIL DRAWING		CODE: V02	ITEM NO.: 823779	REVISION DATE: 03-DEC-18	REV: --	SHEET NUMBER: 1 OF 3	DWG SIZE: B

V02_NMCB (MAR-2014)

SOLIDEDGE