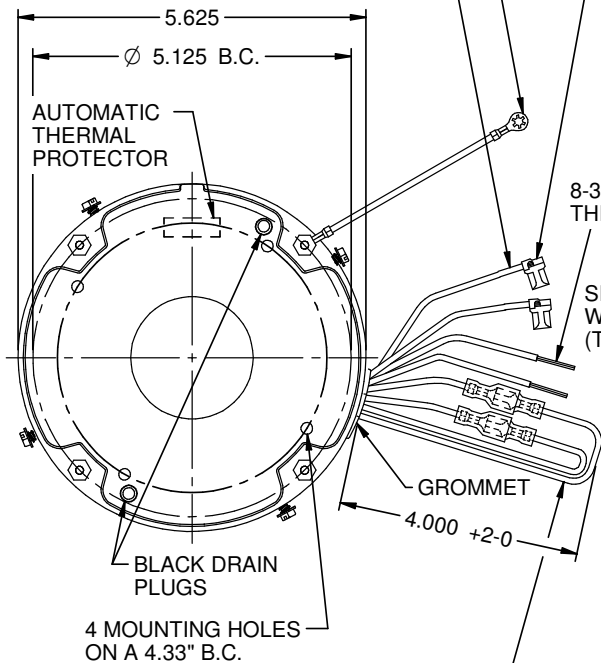


| MODEL | REF | CUSTOMER | HP | VOLTS | AMPS | HZ | RPM | ROTATION | CUSTOMER PN. | DESCRIPTION / REMARKS |
|---------------|--------|---------------|-----|---------|------|-------|------|--------------------|--------------|------------------------------------|
| K55HXWRJ-0123 | A30802 | WHOLESALE-HAC | 1/2 | 208-230 | 2.5 | 60/50 | 1130 | C.CW LEAD END REV. | 1862PEP | K55 ENCLOSED, STUD MTD., BALL BRG. |

#16 GREEN GROUND LEAD TO BE 12.000±.250 BETWEEN CENTERS OF TERMS. TERM. TO FIT #10 SCREW

4 LEADS #18, .031 THICK INSUL TO EXTEND BEYOND MOTOR:
 BLACK=48.000+2-0, WHITE=48.000+2-0,
 BROWN=48.000+2-0,
 BRN/WHT STRIPE=48.000+2-0



(4) LEADS #18, .031 THICK INSUL.
 (2) YELLOW & (2) ORANGE
 FOR REVERSING ROTATION

(2) .250 FLAG TYPE Q.C. TERMS. WITH INSUL. GRIP ON BROWN LEADS

LEADS SKINNED .750±.062

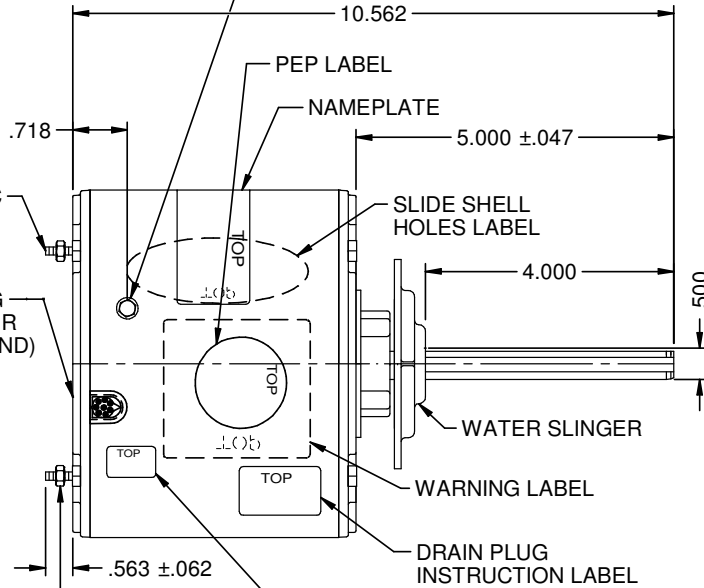
(4) 8-18 SCREWS SUPPLIED IN (4) MOTOR SHELL HOLES

8-32 UNC THREAD

SPRING WASHER (THIS END)

4 EXTRAS NUTS

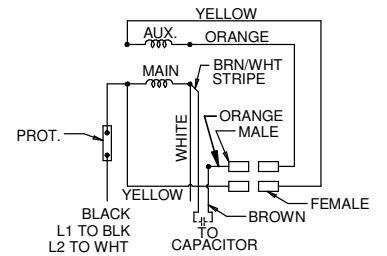
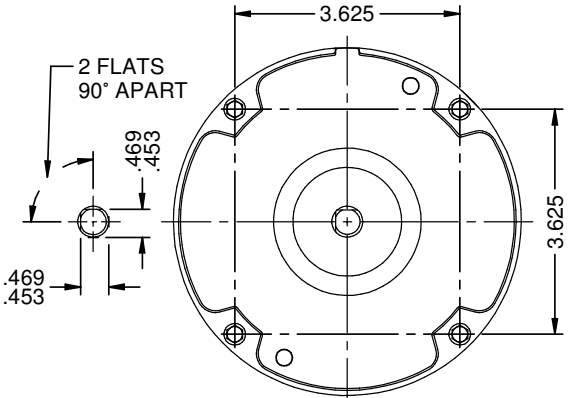
REVERSING WARNING LABEL TO BE ADJACENT TO LEAD HOLE



TOTALLY ENCLOSED

USE WITH 10 MFD 370-VAC CAPACITOR

NOTE: 4 SCREWS INCLUDED IN CARTON



ROTATION IS C.CW. VIEWING LEAD END WITH ORG. TO ORG. & YEL. TO YEL. TO REVERSE ROTATION INTERCHANGE ORG. & YEL. LEADS

REFER TO S.E.I.M. 24-1

NIDEC MOTOR CORPORATION 15-Jan-19

| | |
|----------------------|-------------|
| REVISION RECORD FOR: | ECO: E32095 |
| CREATED NEW DRAWING | |
| ISSUED BY: | F. GARCIA |
| ENGINEER APPROVED: | J. RICE |

DIMENSIONS ARE FOR REFERENCE ONLY

UNLESS TOLERANCE IS SPECIFIED

| | | | |
|--|--|------|--------------|
| NIDEC MOTOR CORPORATION | | | |
| INFORMATION DISCLOSED ON THIS DOCUMENT IS CONSIDERED PROPRIETARY AND SHALL NOT BE REPRODUCED OR DISCLOSED WITHOUT WRITTEN CONSENT OF NIDEC MOTOR CORPORATION | | | |
| TITLE | | CODE | ITEM NO. |
| CUSTOMER DETAIL DRAWING | | V02 | 824706 |
| REVISION DATE: | | REV | SHEET NUMBER |
| 15-JAN-19 | | -- | 1 OF 3 |
| DWG SIZE | | B | |
| SOLDEDGE | | | |