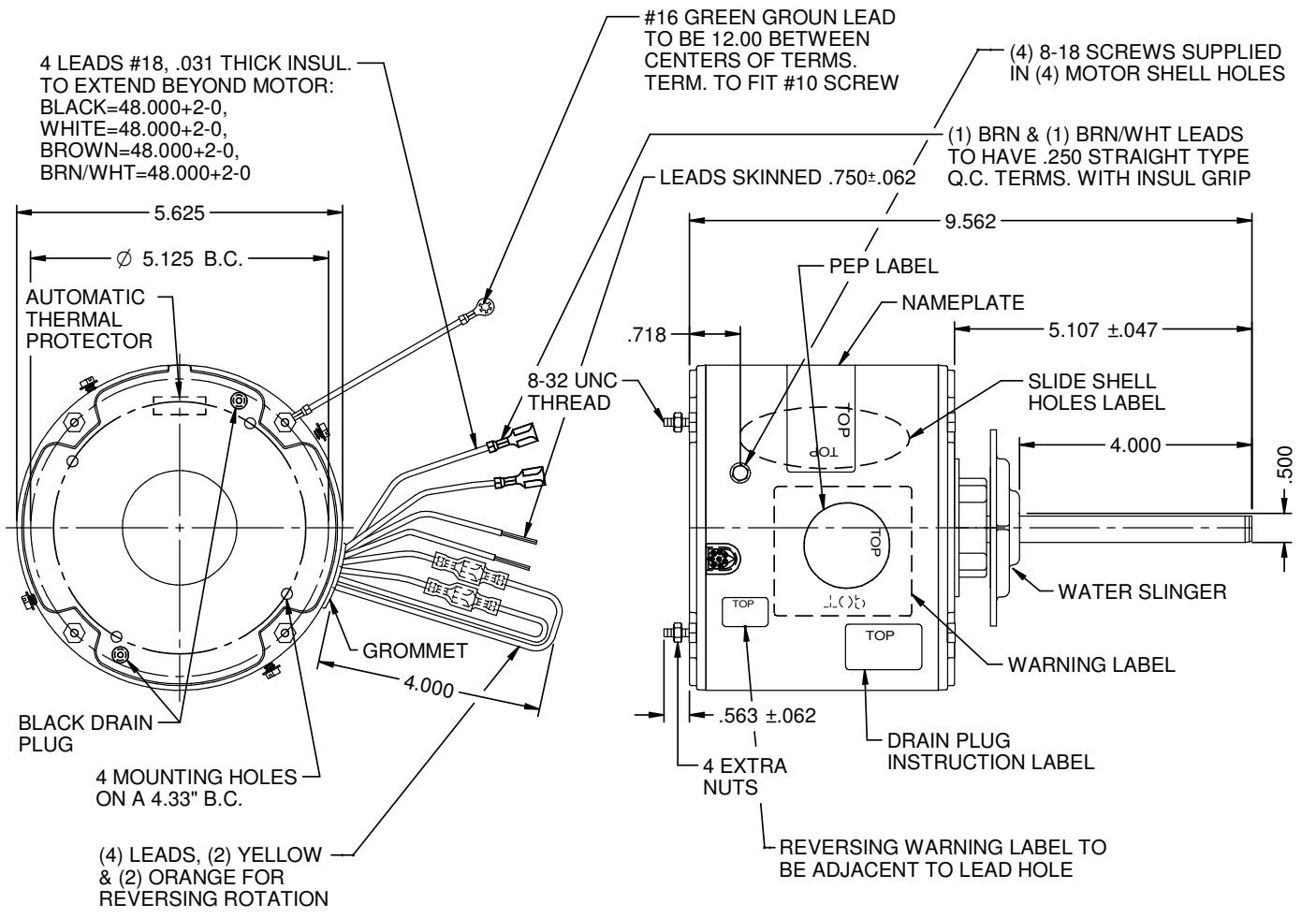


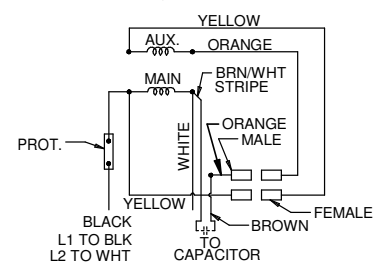
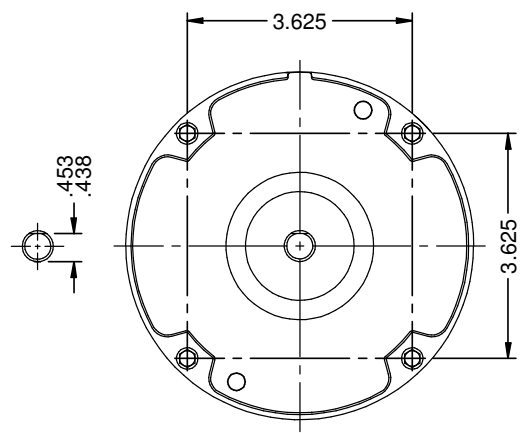
MODEL	REF	CUSTOMER	HP	VOLTS	AMPS	HZ	RPM	ROTATION	CUSTOMER PN.	DESCRIPTION / REMARKS
K55HXWRG-0121	A30779-X2	WHOLESALE-HAC	1/4	208-230	1.4	60/50	1125	C.CW LEAD END REV.	1860PEP	K55 ENCLOSED, STUD MTD., BALL BRG.



TOTALLY ENCLOSED

USE WITH 5.0 MFD 370-VAC CAPACITOR

NOTE:  
4 SCREWS INCLUDED IN CARTON



ROTATION IS C.CW VIEWING LEAD END WITH ORG. TO ORG. & YEL. TO YEL. TO REVERSE ROTATION INTERCHANGE ORG. & YEL. LEADS

REFER TO S.E.I.M. 24-1

NIDEC MOTOR CORPORATION 11-Jan-19

REVISION RECORD FOR:	ECO: E32095
CREATED NEW DRAWING	
ISSUED BY:	F. GARCIA
ENGINEER APPROVED:	J. RICE

DIMENSIONS ARE FOR REFERENCE ONLY

UNLESS TOLERANCE IS SPECIFIED

NIDEC MOTOR CORPORATION			
INFORMATION DISCLOSED ON THIS DOCUMENT IS CONSIDERED PROPRIETARY AND SHALL NOT BE REPRODUCED OR DISCLOSED WITHOUT WRITTEN CONSENT OF NIDEC MOTOR CORPORATION			
TITLE	CODE	ITEM NO.	REVISION DATE:
CUSTOMER DETAIL DRAWING	V02	824663	11-JAN-19
REV	SHEET NUMBER	DWG SIZE	
--	1 OF 3	B	