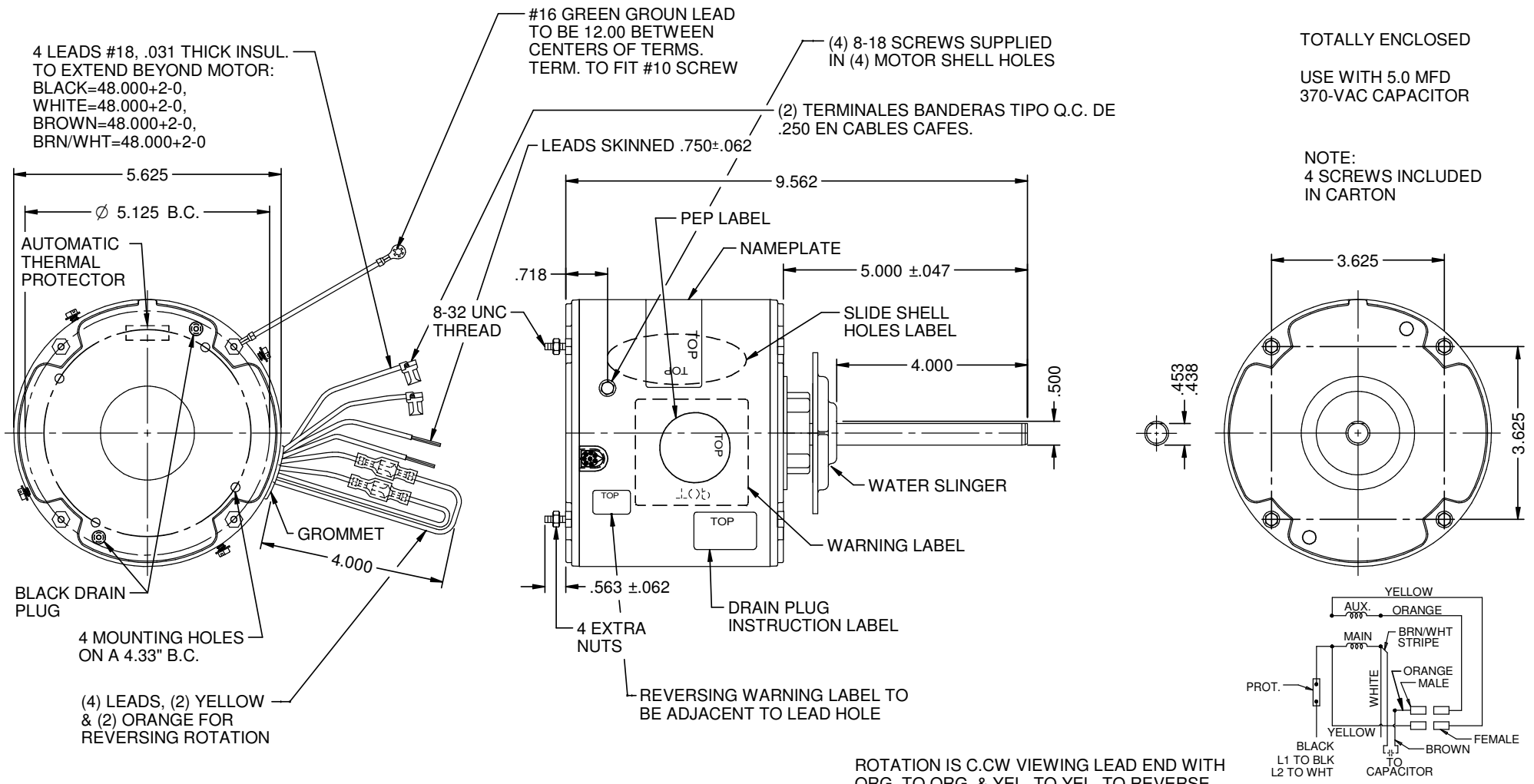


MODEL	REF	CUSTOMER	HP	VOLTS	AMPS	HZ	RPM	ROTATION	CUSTOMER PN.	DESCRIPTION / REMARKS
K55HXWRF-0120	A30797-X2	WHOLESALE-HAC	1/6	208-230	0.9	60/50	1075	C.CW LEAD END REV.	1859PEP	K55 ENCLOSED, STUD MTD., BALL BRG.



NIDEC MOTOR CORPORATION 14-Jan-19 REFER TO S.E.I.M. 24-1

REVISION RECORD FOR: ECO: E32095		DIMENSIONS ARE FOR REFERENCE ONLY	<b>NIDEC MOTOR CORPORATION</b>					
CREATED NEW DRAWING			INFORMATION DISCLOSED ON THIS DOCUMENT IS CONSIDERED PROPRIETARY AND SHALL NOT BE REPRODUCED OR DISCLOSED WITHOUT WRITTEN CONSENT OF NIDEC MOTOR CORPORATION		REVISION DATE: 14-JAN-19			
ISSUED BY: F. GARCIA			TITLE: CUSTOMER DETAIL DRAWING		CODE: V02	ITEM NO.: 824686	REV: --	SHEET NUMBER: 1 OF 3