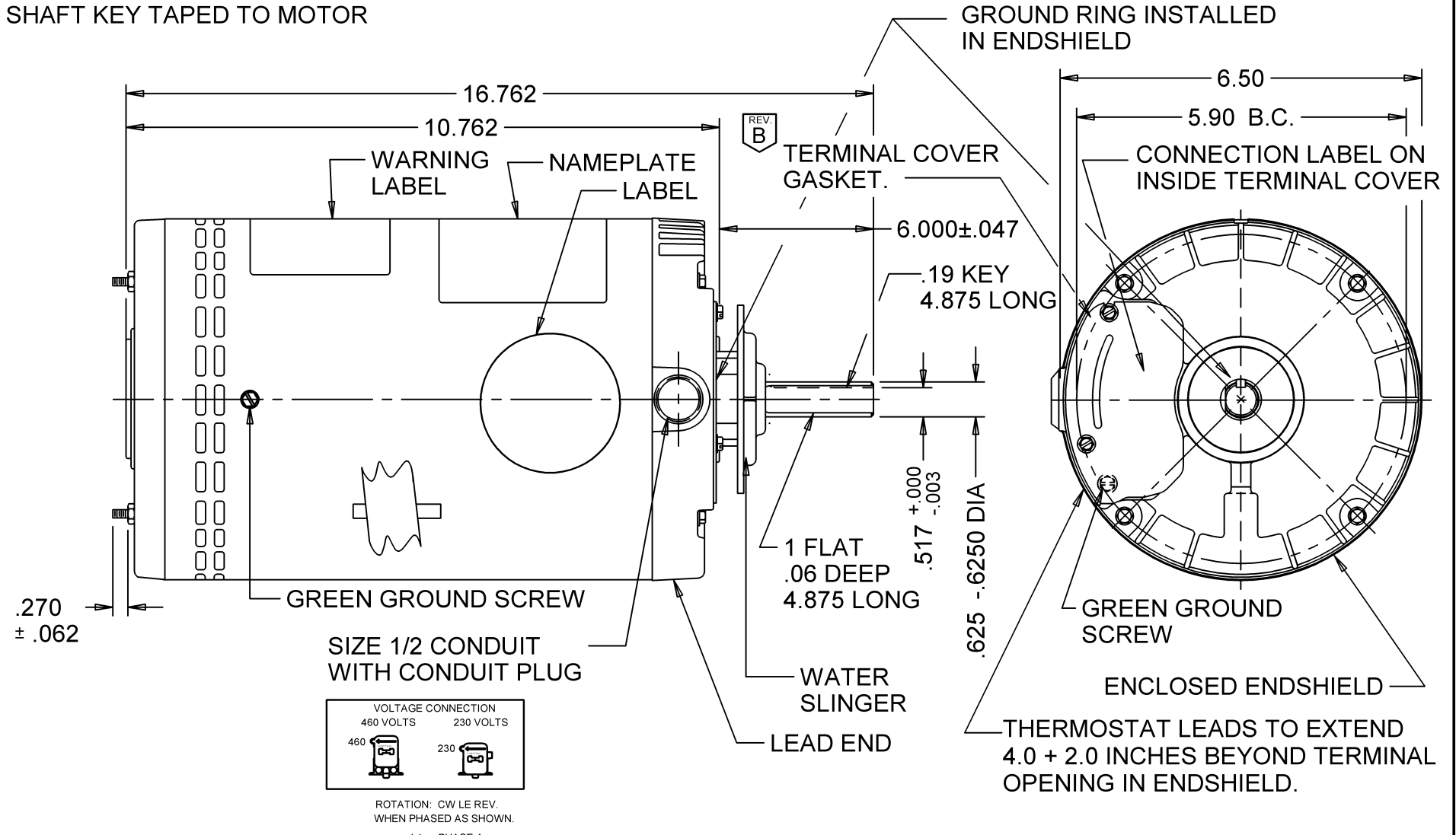


SHAFT KEY TAPED TO MOTOR



INVERTER DUTY-NEMA 31

NIDEC MOTOR CORPORATION 29-Jul-14

MODEL	REF	CUSTOMER	HP	VOLTS	AMPS	HZ	RPM	ROTATION	PROTECTOR
J63WZBKD-0248		WHOLESALE-HAC	1.0	208-230/460	5.0-5.0/2.5	60	850	REVERSIBLE	THERMOSTATS
									CUSTOMER PN
									1828VG

SHEET NUMBER	REV	REVISION RECORD FOR: D1619-00	
	1 OF 1	B	ADDED NOTE OF " TERMINAL COVER GASKET".
REVISION DATE		29-JUL-14	
ISSUED BY	REVIEWED BY	ENGINEER APPROVED	
I. GUTIERREZ	M. GUZMAN	B. GAITAN	

INFORMATION DISCLOSED ON THIS DOCUMENT IS CONSIDERED PROPRIETARY AND SHALL NOT BE REPRODUCED OR DISCLOSED WITHOUT WRITTEN CONSENT OF NIDEC MOTOR CORPORATION
ALL DIMENSIONS ARE FOR REFERENCE ONLY UNLESS TOLERANCE IS GIVEN
TITLE
ASSEMBLED VIEW

NIDEC MOTOR CORPORATION	
CODE	ITEM NO.
V01	794599
SIZE	A