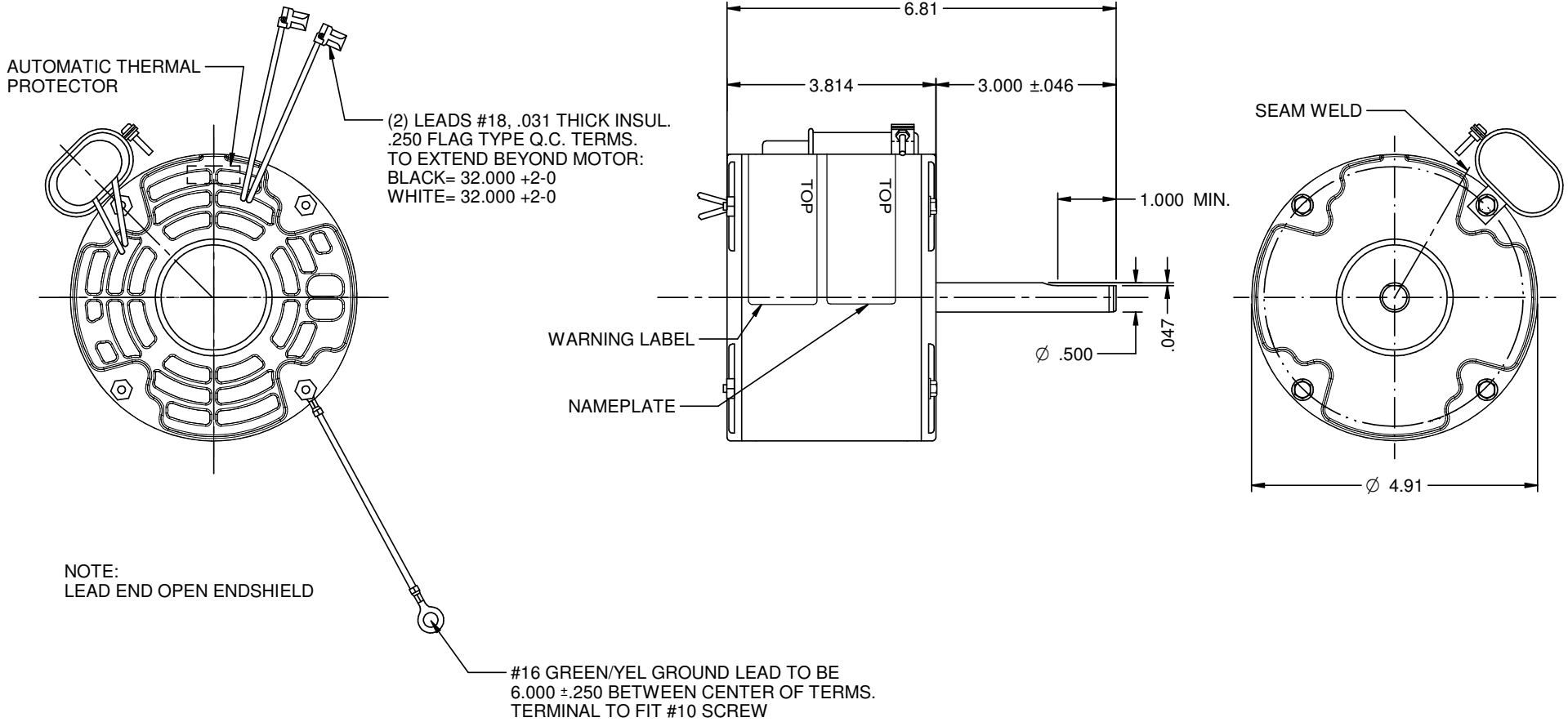


MODEL	REF	CUSTOMER	HP	VOLTS	AMPS	HZ	RPM	ROTATION	CAT. #	DESCRIPTION / REMARKS
K48HXTW-1675		STANDARD	1/8	230	.79	60	1550	CCW LEAD END	1675	K48, SELF-ALIGN BEARING



NIDEC MOTOR CORPORATION 27-Nov-18

REFER TO S.E.I.M. 24-1

DRAWING WAS CREATED	REVISION RECORD FOR: ECO E32044
ISSUED BY: G. TREVIÑO	ENGINEER APPROVED: J. RICE

DIMENSIONS ARE FOR REFERENCE ONLY

UNLESS TOLERANCE IS SPECIFIED

**NIDEC MOTOR CORPORATION**

INFORMATION DISCLOSED ON THIS DOCUMENT IS CONSIDERED PROPRIETARY AND SHALL NOT BE REPRODUCED OR DISCLOSED WITHOUT WRITTEN CONSENT OF NIDEC MOTOR CORPORATION

REVISION DATE: 28-NOV-18

TITLE	CODE	ITEM NO.	REV	SHEET NUMBER	DWG SIZE
CUSTOMER DETAIL DRAWING	V02	823565	--	1 OF 3	B