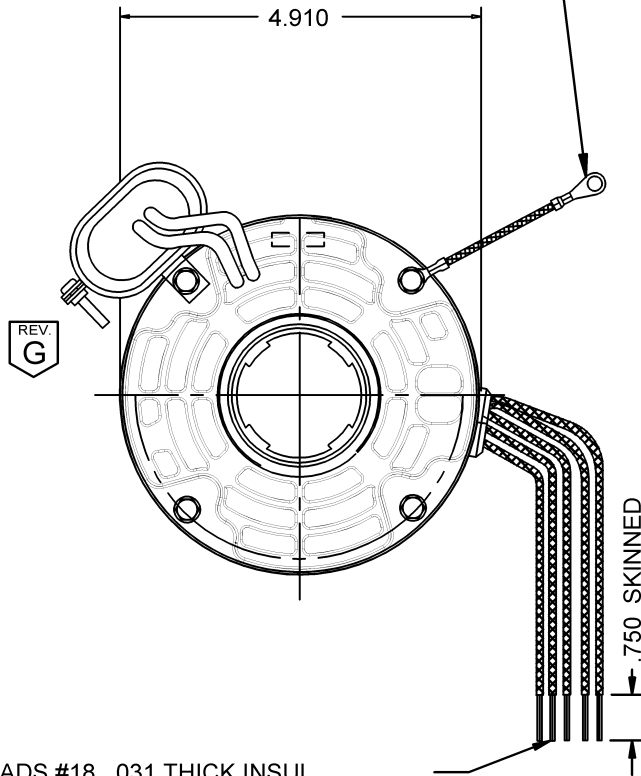
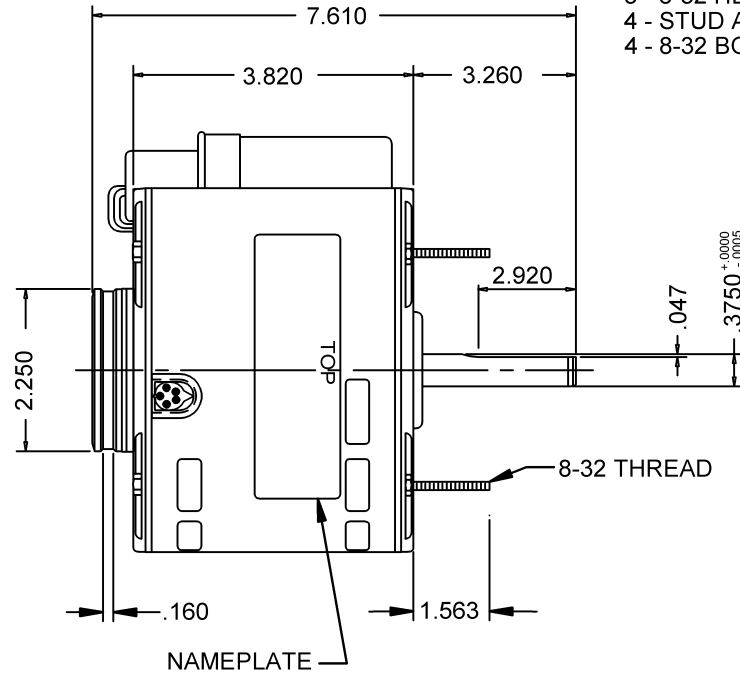


#16 GREEN GROUND LEAD TO BE 6.000 BETWEEN CENTERS OF TERMS. TERMINAL TO FIT #10 SCREW



5 LEADS #18, .031 THICK INSUL. TO EXTEND BEYOND MOTOR:
 WHITE= 30.000 +2-0, BLACK= 30.000 +2-0,
 RED= 30.000 +2-0, ORANGE= 30.000 +2-0,
 PURPLE= 30.000 +2-0

SHIPPED DETACHED:
 1 - MOUNTING BRACKET
 1 - 2.250 HUB RING
 8 - 8-32 HEX NUTS
 4 - STUD ASM.
 4 - 8-32 BOLTS



CONNECTIONS

115 VOLTS		230 VOLTS	
L1	WHT	L1	WHT
L2	BLK	L2	BLK
	ORG		RED
INSUL	RED	INSUL	ORG
	PUR	INSUL	PUR

NIDEC MOTOR CORPORATION 14-Jun-13

MODEL	REF	CUSTOMER	HP	VOLTS	AMPS	HZ	RPM	ROTATION	CUSTOMER PN
K48HXWHH-4398	A28156	WHOLESALE-HAC	1/10	115/208-230	1.7/0.8	60	1050	CCW LEAD END	1471P

SHEET NUMBER	REV	REVISION RECORD FOR: C7770-00		
1 OF 1	G	RELOCATED VIEW OF SCREW		
		DELETED NOTE OF 1- BUSHING		
REVISION DATE				
14-JUN-13				
ISSUED BY	REVIEWED BY	ENGINEER APPROVED		
A. SANCHEZ	M. LARGENT	B. GAITAN		

INFORMATION DISCLOSED ON THIS DOCUMENT IS CONSIDERED PROPRIETARY AND SHALL NOT BE REPRODUCED OR DISCLOSED WITHOUT WRITTEN CONSENT OF NIDEC MOTOR CORPORATION

ALL DIMENSIONS ARE FOR REFERENCE ONLY UNLESS TOLERANCE IS GIVEN

TITLE	CODE	ITEM NO.	SIZE
ASSEMBLED VIEW	V01	776587	A

PROTECTOR		BEARING	
AUTOMATIC		SAB	