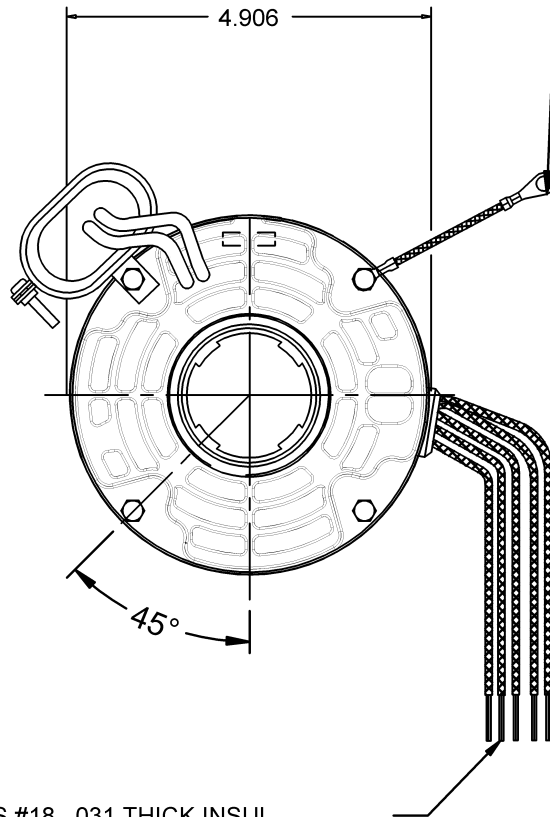


#16 GREEN GROUND LEAD TO BE
6.000±.250 BETWEEN CENTERS OF TERMS.
TERMINAL TO FIT #10 SCREW

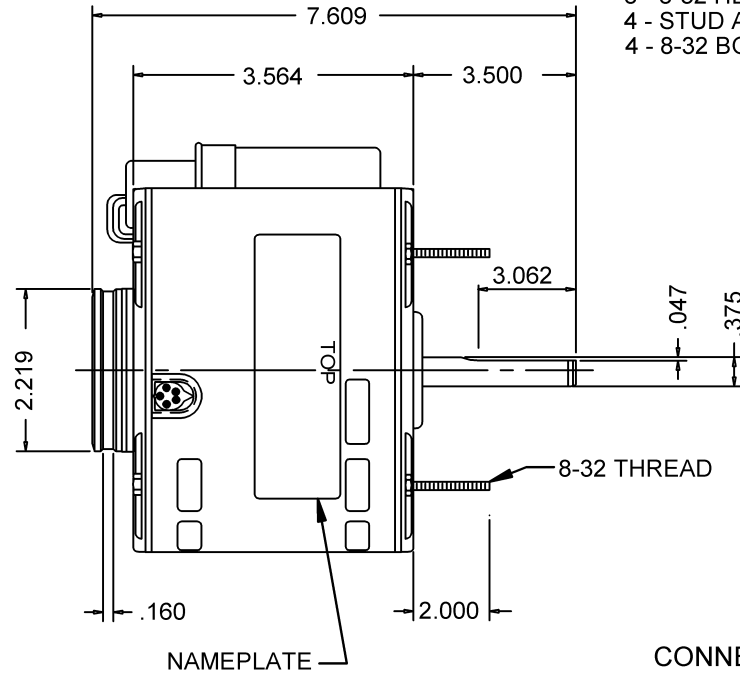
REV
F



5 LEADS #18, .031 THICK INSUL.
TO EXTEND BEYOND MOTOR:
WHITE= 30.000 +2-0, BLACK= 30.000 +2-0,
RED= 30.000 +2-0, ORANGE= 30.000 +2-0,
PURPLE= 30.000 +2-0

SHIPPED DETACHED:
1 - MOUNTING BRACKET
1 - 2.250 HUB RING
8 - 8-32 HEX NUTS
4 - STUD ASM.
4 - 8-32 BOLTS

REV
F



CONNECTIONS

115 VOLTS		230 VOLTS	
L1	WHT	L1	WHT
L2	BLK	L2	BLK
INSUL	ORG	INSUL	RED
	RED		ORG
	PUR	INSUL	PUR

NIDEC MOTOR CORPORATION 14-Jun-13

MODEL	REF	CUSTOMER	HP	VOLTS	AMPS	HZ	RPM	ROTATION	CUSTOMER PN
K48HXWGR-4387	A27668	WHOLESALE-HAC	1/15	115/208-230	1.3/1.7	60	1550	CCW LEAD END	1469P

SHEET NUMBER	REV	REVISION RECORD FOR: C7770-00		
1 OF 1	F	RELOCATED VIEW OF SCREW		
		DELETED NOTE OF 1-BUSHING		
REVISION DATE				
14-JUN-13				
ISSUED BY	REVIEWED BY	ENGINEER APPROVED		
A. SANCHEZ	M. LARGENT	B. GAITAN		

INFORMATION DISCLOSED ON THIS DOCUMENT
IS CONSIDERED PROPRIETARY AND SHALL NOT BE
REPRODUCED OR DISCLOSED WITHOUT WRITTEN
CONSENT OF NIDEC MOTOR CORPORATION

**NIDEC MOTOR
CORPORATION**

ALL DIMENSIONS ARE FOR REFERENCE ONLY UNLESS TOLERANCE IS GIVEN

TITLE	CODE	ITEM NO.	SIZE
ASSEMBLED VIEW	V01	776611	A