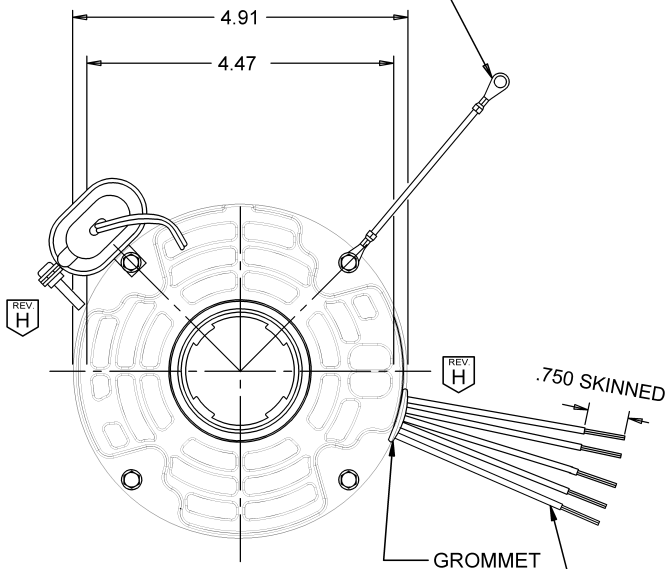
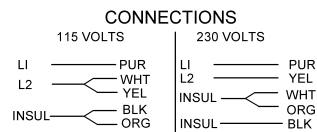
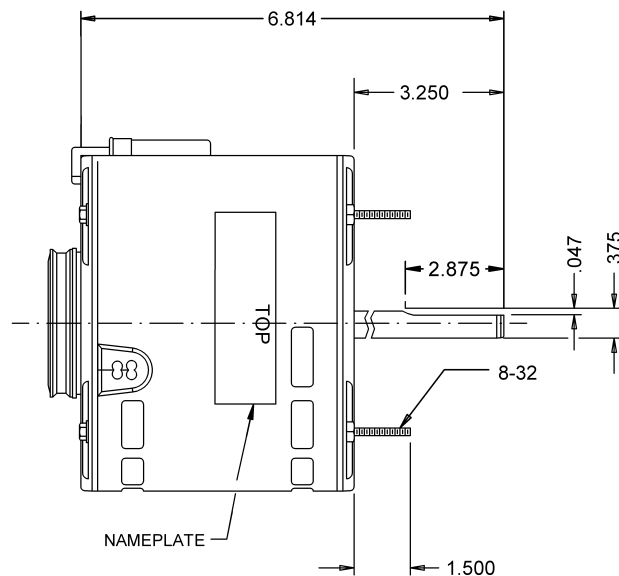


#16 GREEN/YELLOW GROUND LEAD TO BE
6.000 BETWEEN CENTERS OF TERMINALS.
TERMINAL TO FIT #10 SCREW.



(5) LEADS TO EXTEND
BEYOND MOTOR
BLK=30.000±1.5
WHT=30.000±1.5
PUR=30.000±1.5
ORG=30.000±1.5
YEL=30.000±1.5



MOTOR IS NON-REVERSIBLE
CW. ROTATION LEAD END

SHIPPED DETACHED
1 - MOUNTING BRACKET
1 - 2.250 HUB RING
8 - 8-32 HEX. NUTS
4 - STUD ASM.
4 - 8 - 32 BOLTS

REV H

MODEL	REF	CUSTOMER	HP	VOLTS	AMPS	HZ	RPM	ROTATION	CUSTOMER PN	
K48HXWGP-4386	A27667	WHOLESALE-HAC	1/20	115/208-230	1.1/0.5	60	1550	CW. LEAD END	1468P	
SHEET NUMBER	REV	REVISION RECORD FOR: C7770-00							NIDEC MOTOR CORPORATION	
1 OF 1	H	RELOCATED VIEW OF SCREW DELETED NOTE OF 1-BUSHING ADDED VIEW OF CLAMP ON LEAD END								
REVISION DATE		13-JUN-13								
ALL DIMENSIONS ARE FOR REFERENCE ONLY UNLESS TOLERANCE IS GIVEN										
ISSUED BY	REVIEWED BY	ENGINEER APPROVED	TITLE				CODE	ITEM NO.	SIZE	
A. SANCHEZ	M. LARGENT	B. GAITAN	ASSEMBLED VIEW				V01	776463	B	

NIDEC MOTOR CORPORATION 14-Jun-13