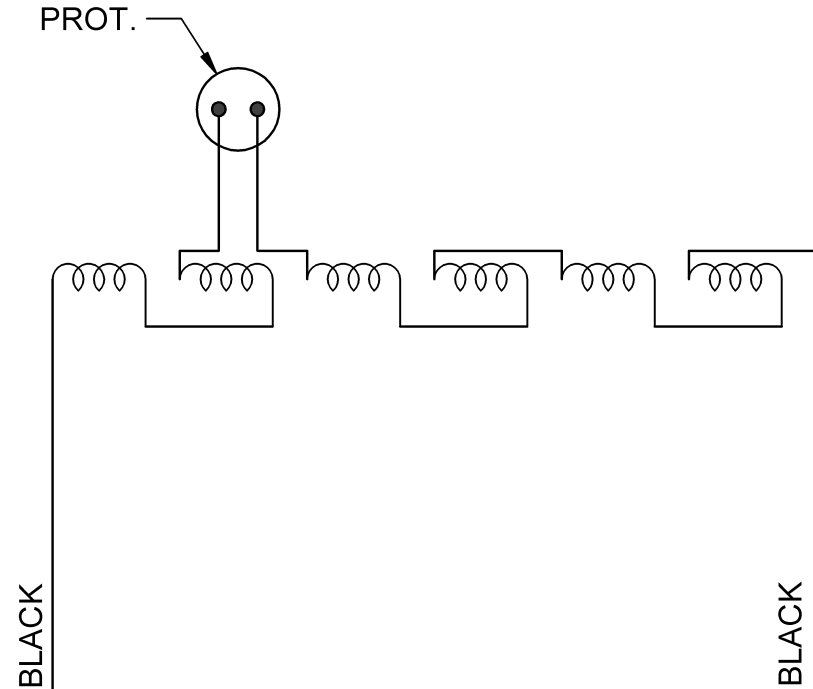
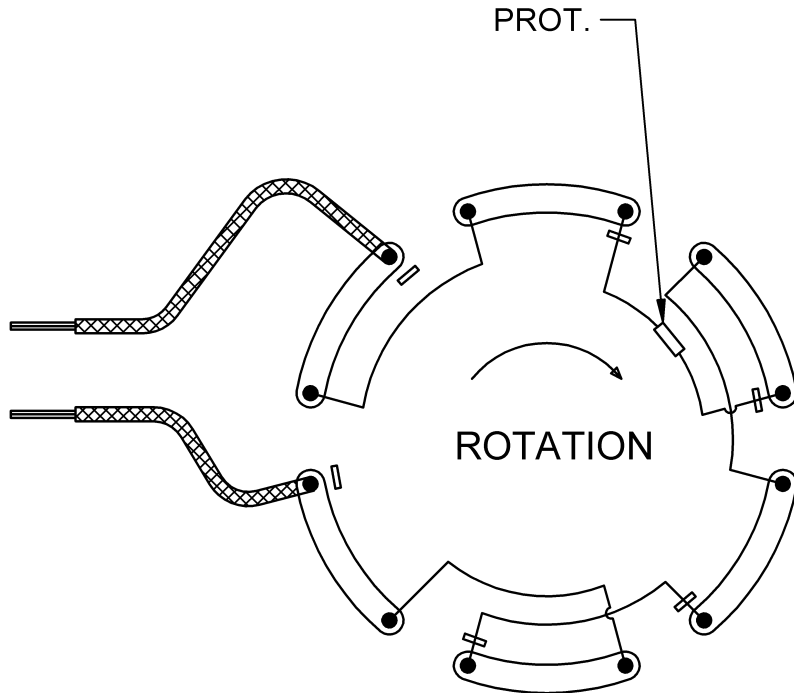


VIEW FROM CONN. END
ie. END OPP. LEAD END



REFER TO SEIM 24-1

MODEL
F 6P SGL VOLTPROT.

REVISION DESCRIPTION FOR: C8396-03		SCALE	UNITS	TITLE		NIDEC MOTOR CORPORATION		
SUB. DWG. DATE: 19JL93		NONE	INCHES	DIAGRAM OF CONNECTIONS				
LAST REV DATED: 17JA94		TOLERANCES ON DIMENSIONS (UNLESS OTHERWISE SPECIFIED)				ISSUED BY		REVISION DATE
UPDATED TITLE BLOCK TO NIDEC		INCHES	mm	B. ANDRADE		J. I. SALAZAR	24-SEP-13	
MATERIAL:		ANGLES X°= ±1°		CODE	DWG NO.	REV	SHEET NUMBER	DWG SIZE
MUST BE COMPLIANT TO RoHS DIRECTIVE EU 2002/95/IEC AND REGULATION EC 1907/2006 (REACH) AS AMENDED				D04	304656	A	1 OF 1	A

REV.
A