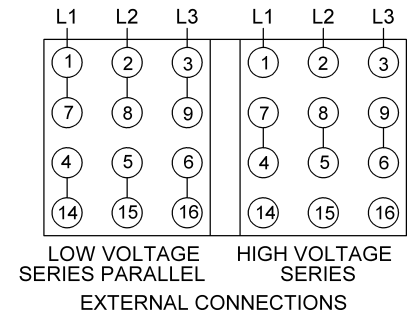


NOTES:
1.) 36 SLOT STATOR; 1 COIL PER POLE.



REFER TO SEIM 24-1

REVISION DESCRIPTION FOR: C8396-02		SCALE: NONE	UNITS: INCHES	TITLE: DIAGRAM OF CONNECTIONS		NIDEC MOTOR CORPORATION
CHANGED MARK FROM EMERSON TO NIDEC.		TOLERANCES ON DIMENSIONS (UNLESS OTHERWISE SPECIFIED)		ISSUED BY: E. VICENCIO		
CHANGED FROM MICROSTATION TO SOLIDEDGE.				APPROVED BY: J.I. SALAZA		REVISION DATE: 23-SEP-13
MATERIAL:		INCHES: ±.015	mm	CODE: D04	DWG NO.: 293242	REV: A
NIDEC CONFIDENTIAL NIDEC MOTOR CORPORATION 21-Sep-13		MUST BE COMPLIANT TO ROHS DIRECTIVE EU 2002/95/IEC AND REGULATION EC 1907/2006 (REACH) AS AMENDED		ANGLES X° = ±1°		SHEET NUMBER: 1 OF 1 DWG SIZE: B