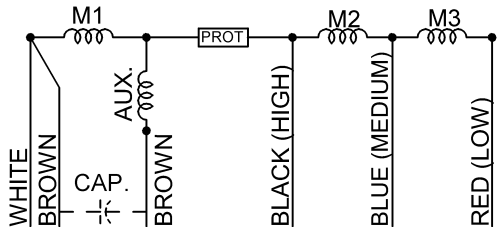
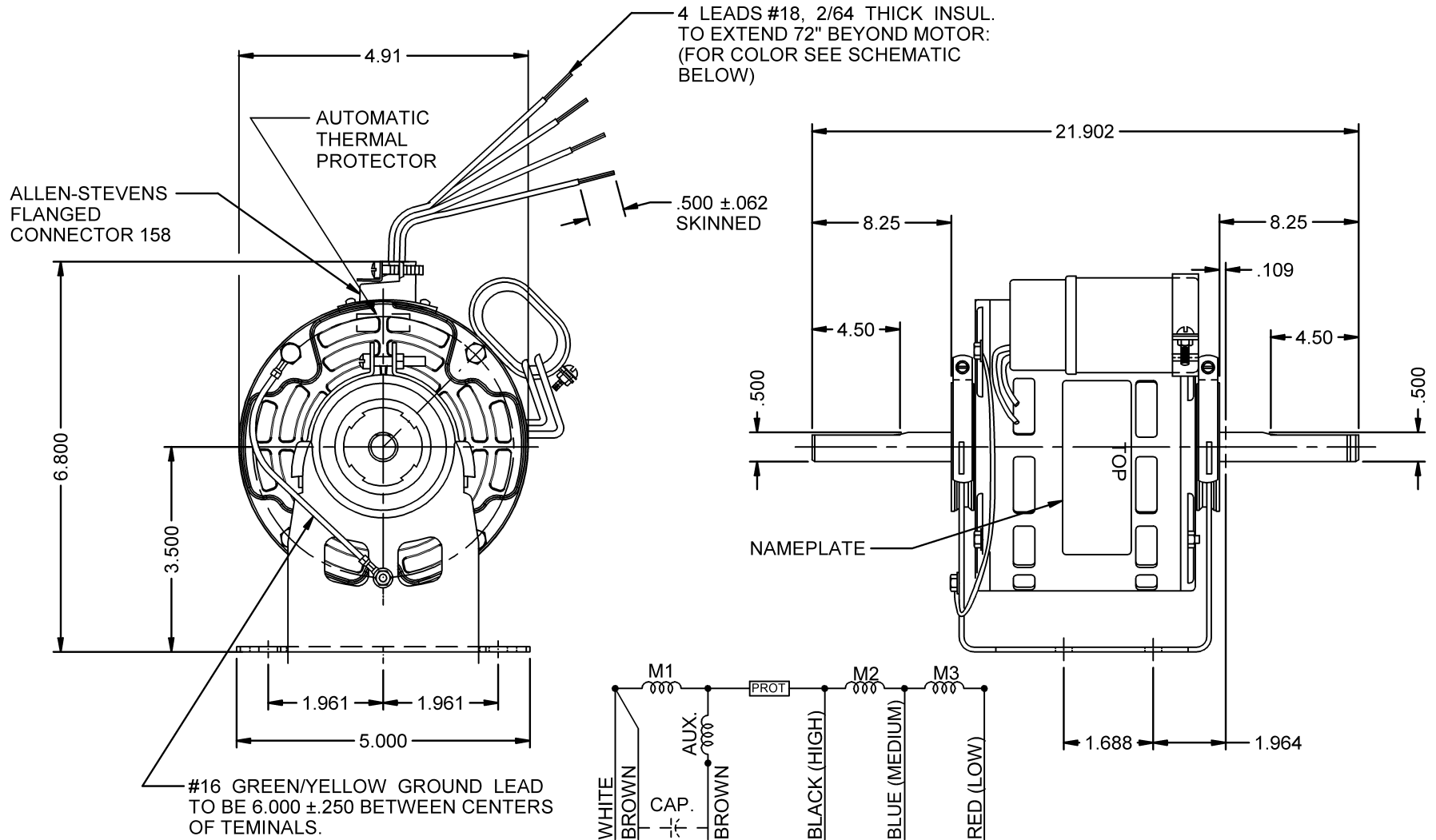


USE WITH A 7.5 MFD/370 VAC CAPACITOR



NIDEC MOTOR CORPORATION 09-Oct-12

MODEL	REF	CUSTOMER	HP	VOLTS	AMPS	HZ	RPM	ROTATION	CUSTOMER PN	
K48HXCLD-1123	A30568	WHOLESALE-HAC	1/6	115-120	2.5	60	1450/3 SPD	CCW LEAD END	1257	
REVISION RECORD FOR: C6401-00				INFORMATION DISCLOSED ON THIS DOCUMENT IS CONSIDERED PROPRIETARY AND SHALL NOT BE REPRODUCED OR DISCLOSED WITHOUT WRITTEN CONSENT OF NIDEC MOTOR CORPORATION				NIDEC MOTOR CORPORATION		
SHEET NUMBER	REV	UPDATED ENGINEER APPROVED TO B. GAITAN.								
1 OF 1	A									
REVISION DATE				ALL DIMENSIONS ARE FOR REFERENCE ONLY UNLESS TOLERANCE IS GIVEN						
09-OCT-12				TITLE				CODE	ITEM NO.	SIZE
ISSUED BY		REVIEWED BY	ENGINEER APPROVED	ASSEMBLED VIEW				V01	793322	A
R. MORALES		M. LARGENT	B. GAITAN							