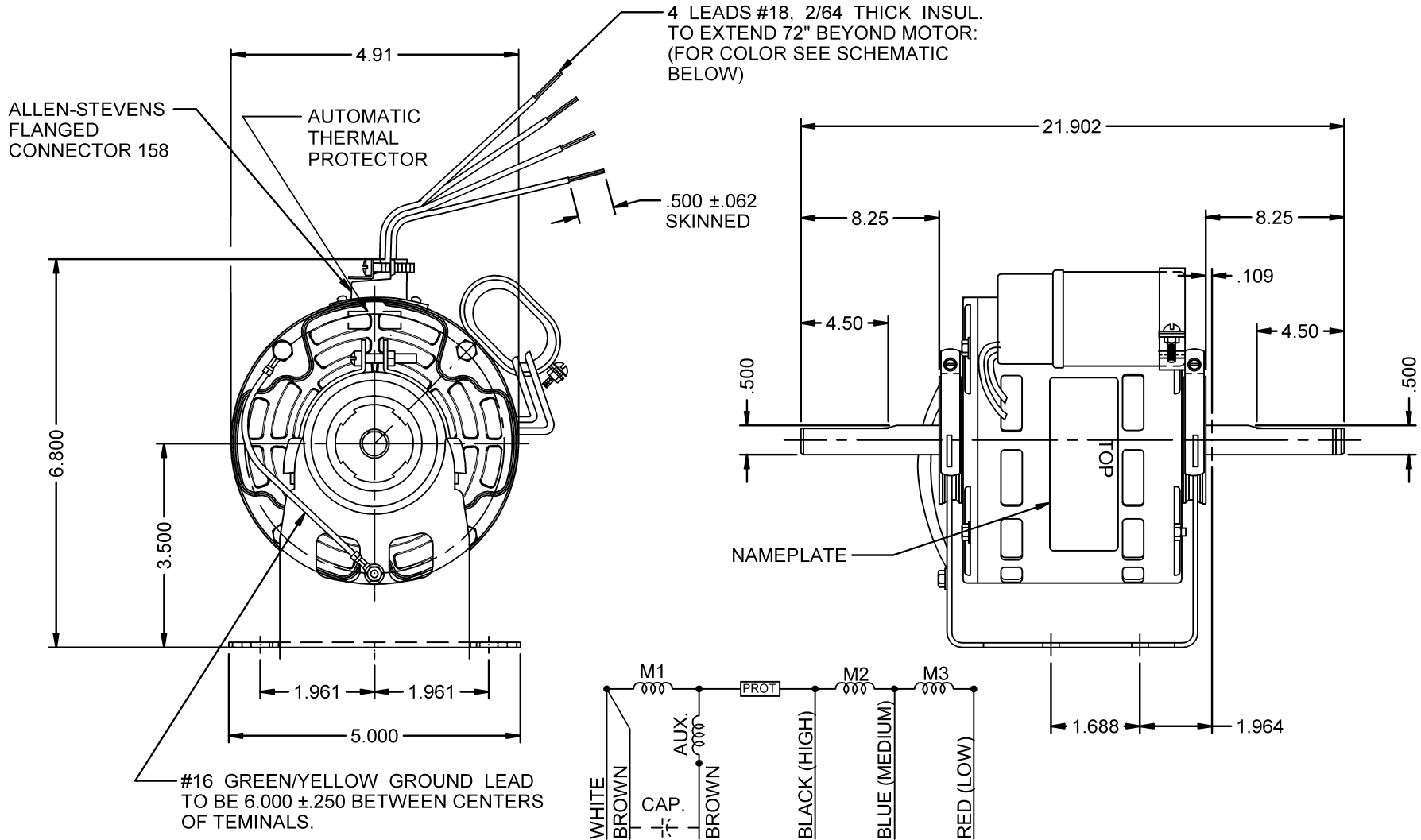


USE WITH A 6 MFD/370 VAC CAPACITOR



NIDEC MOTOR CORPORATION 09-Oct-12

MODEL	REF	CUSTOMER	HP	VOLTS	AMPS	HZ	RPM	ROTATION	CUSTOMER PN	
K48HXCLC-1122	A30561	WHOLESALE - HAC	1/12	115-120	1.4	60	1375/3 SPD	CCW LEAD END	1256	
SHEET NUMBER 1 OF 1	REV A	REVISION RECORD FOR: C6401-00 UPDATED ENGINEER APPROVED TO B. GAITAN.				INFORMATION DISCLOSED ON THIS DOCUMENT IS CONSIDERED PROPRIETARY AND SHALL NOT BE REPRODUCED OR DISCLOSED WITHOUT WRITTEN CONSENT OF NIDEC MOTOR CORPORATION			NIDEC MOTOR CORPORATION	
REVISION DATE 09-OCT-12						ALL DIMENSIONS ARE FOR REFERENCE ONLY UNLESS TOLERANCE IS GIVEN				
ISSUED BY R. MORALES	REVIEWED BY M. LARGENT	ENGINEER APPROVED B. GAITAN	REV. A	TITLE ASSEMBLED VIEW			CODE V01	ITEM NO. 793319	SIZE A	