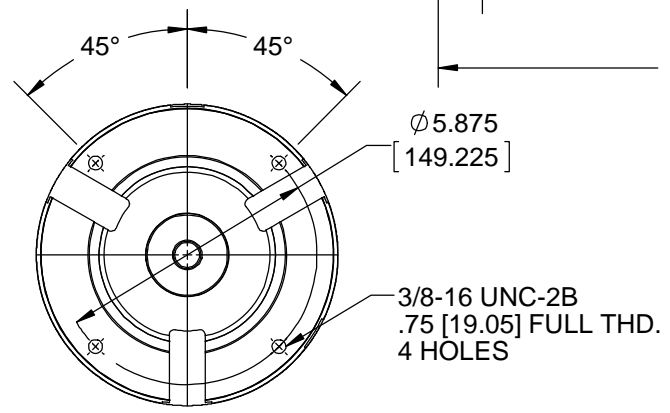


- NOTES:
1. CONDUIT BOX CAN BE ROTATED IN 90° STEPS.
  2. NAMEPLATE TO BE READ FROM CONDUIT BOX SIDE OF MOTOR.
  3. MOTOR HAS F2 CAPABILITY.



DASH	FRAME	B	C	AG	2F	2FF	BS
1050	254TC	10.25	23.38	17.31	8.25	---	4.12
1225	256TC	12.00	25.13	19.06	10.00	---	5.00

DRAWING REVISION	REVISION BY	DATE
K		
ECO	APPROVED BY	DATE
ECO-0132637		
ECO DESCRIPTION		
UPDATED ODE KEYWAY		
COPYRIGHT REGAL BELOIT AMERICA, INC. ALL RIGHTS RESERVED. PROPRIETARY AND CONFIDENTIAL INFORMATION - THIS DOCUMENT IS THE PROPERTY OF REGAL BELOIT AMERICA, INC. ("OWNER") AND CONTAINS OWNER'S PROPRIETARY INFORMATION. ANY PERSON, CORPORATION OR OTHER FIRM RECEIVING IT IS DEEMED, BY RECEIVING IT, TO AGREE THAT IT, AND/OR ANY PART OF IT, SHALL NOT BE DISCLOSED TO ANY PERSON, CORPORATION OR OTHER ENTITY, DUPLICATED, AND/OR USED, EXCEPT AS EXPRESSLY APPROVED IN WRITING IN ADVANCE BY OWNER. THIS DOCUMENT SHALL BE RETURNED TO OWNER UPON REQUEST. IT MAY BE SUBJECT TO CERTAIN RESTRICTIONS UNDER APPLICABLE EXPORT CONTROL LAWS AND REGULATIONS.		

TOLERANCES UNLESS OTHERWISE SPECIFIED:			
DEC.	INCH	mm	ANGLE
.X	±0.1	[±2.5]	±7° 30"
.XX	±0.03	[±0.76]	
.XXX	±0.005	[±0.127]	
.XXXX	±0.0005	[±0.0127]	
REMOVE BURRS & BREAK SHARP EDGES: .003/.015 [0.076/.381] X 45° CORNER FILLETS: R.02 [0.51]			
MACHINED SURFACES: 200 INCH/mm 5.1			
mm SHOWN IN [BRACKETS]			

DRAWN BY	DATE
J PETERSEN	11-7-2017
APPROVED BY	DATE
TLB	11-7-2017
REFERENCE	
THIRD ANGLE PROJECTION	

REGAL™ Regal Beloit America, Inc.	
DESCRIPTION	
OUTLINE	
250TC FR. - BB - C'FACE - TENV - STL. C'BOX	
MATERIAL	PROCESS/FINISH
SIZE	DRAWING NUMBER
B	SS203158
SHEET	1 OF 1