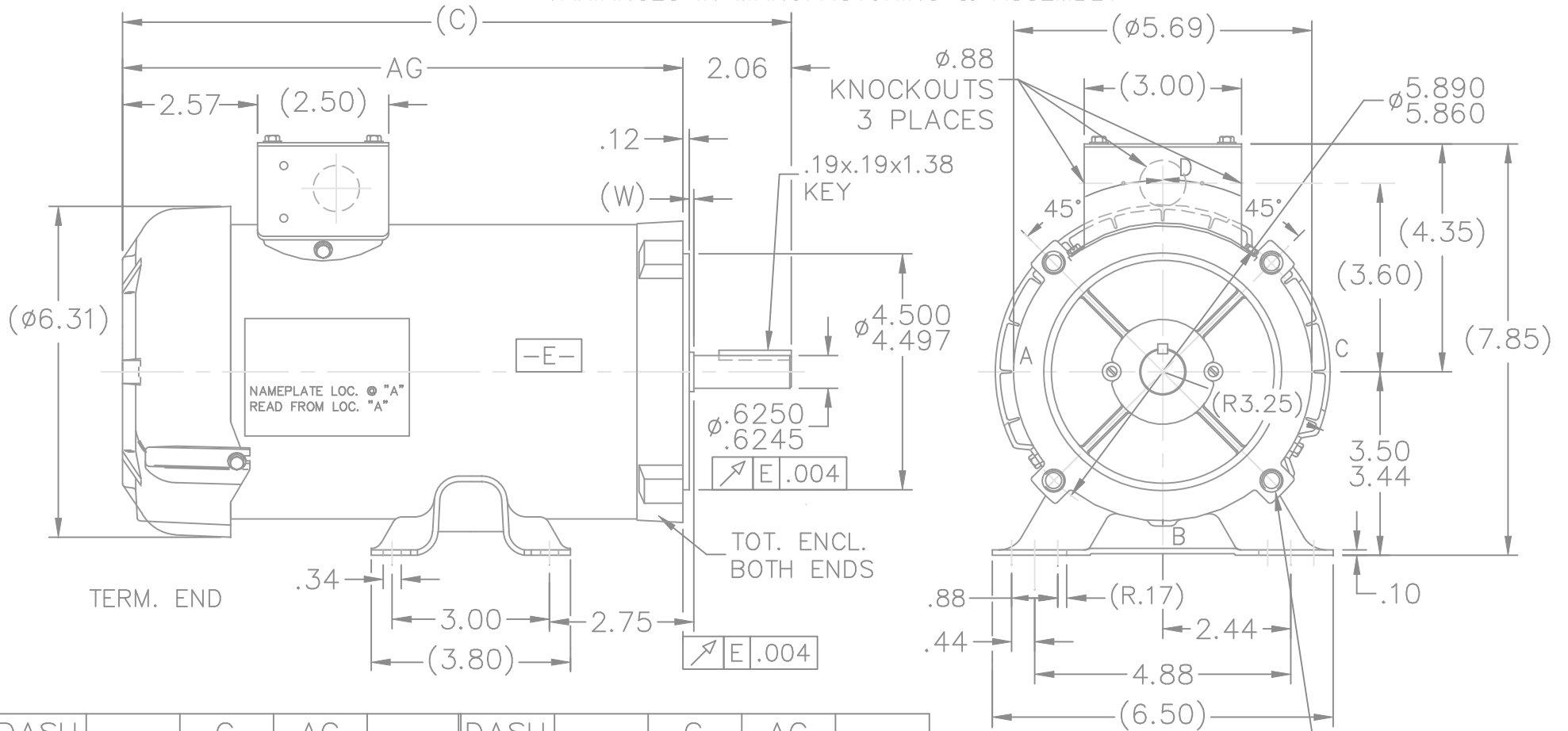


'W' = CLEARANCE ALLOWED FOR ALL  
VARIANCES IN MANUFACTURING & ASSEMBLY



DASH	C	AG	DASH	C	AG
500	9.94	7.88	625	11.19	9.13
525	10.19	8.13	750	12.44	10.38
575	10.69	8.63			

05-17-2000

NO.	REVISION	BY & DATE	TOLERANCES UNLESS SPECIFIED	
			DEC.	INCHES
5	UPDATED DRAWING	TJW 04/20/2007	.X	±.1
4	CHANGED TO LEESON CONDUIT BOX PER CN39440-2	TJW	.XX	±.03
3	REDRAWN IN AUTOCAD	TAT 07-06-2004	.XXX	±.005
2	REVISED NAMEPLATE LOCATION CN 34681	NJS 02-19-2002	.XXXX	±.0005
1	NEW DRAWING 4069675	NJS 02-19-2002	ANG	±7'30"

**MARATHON ELECTRIC**

TITLE OUTLINE

MAT'L. \_\_\_\_\_

FINISH \_\_\_\_\_

DRAWN DD 08-27-1993

CHK ML 08-30-1993

APPD JAY 08-31-1993

SCALE 11=32

REF \_\_\_\_\_

FMF \_\_\_\_\_

PREV \_\_\_\_\_

THIS DRAWING IN DESIGN AND DETAIL IS OUR PROPERTY AND MUST NOT BE USED EXCEPT IN CONNECTION WITH OUR WORK ALL RIGHTS OF DESIGN AND INVENTION ARE RESERVED THIS IS AN ELECTRONICALLY GENERATED DOCUMENT - DO NOT SCALE THIS PRINT		RFP _____	CAD FILE ss75928	SIZE A	DRAWING NO. SS75928	PAGE _____	OF _____	REV. 5
		DIST WP						