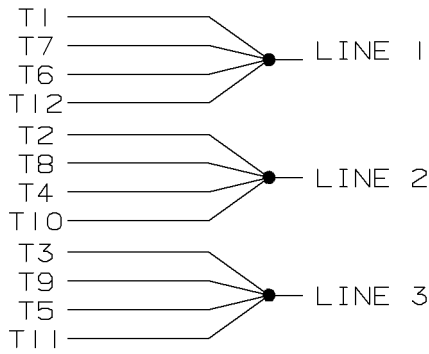
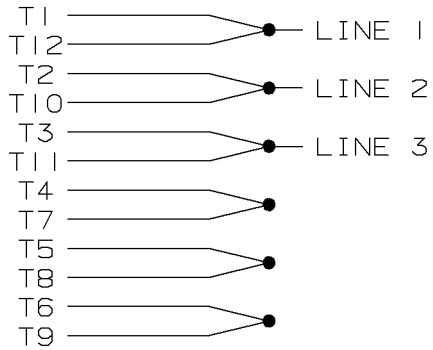


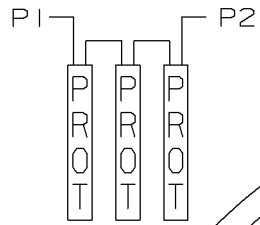
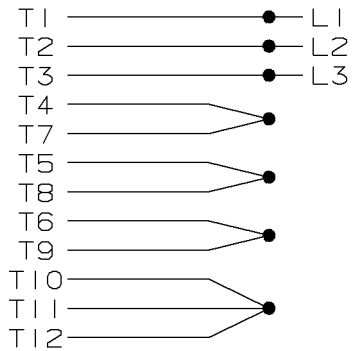
LOW VOLTAGE



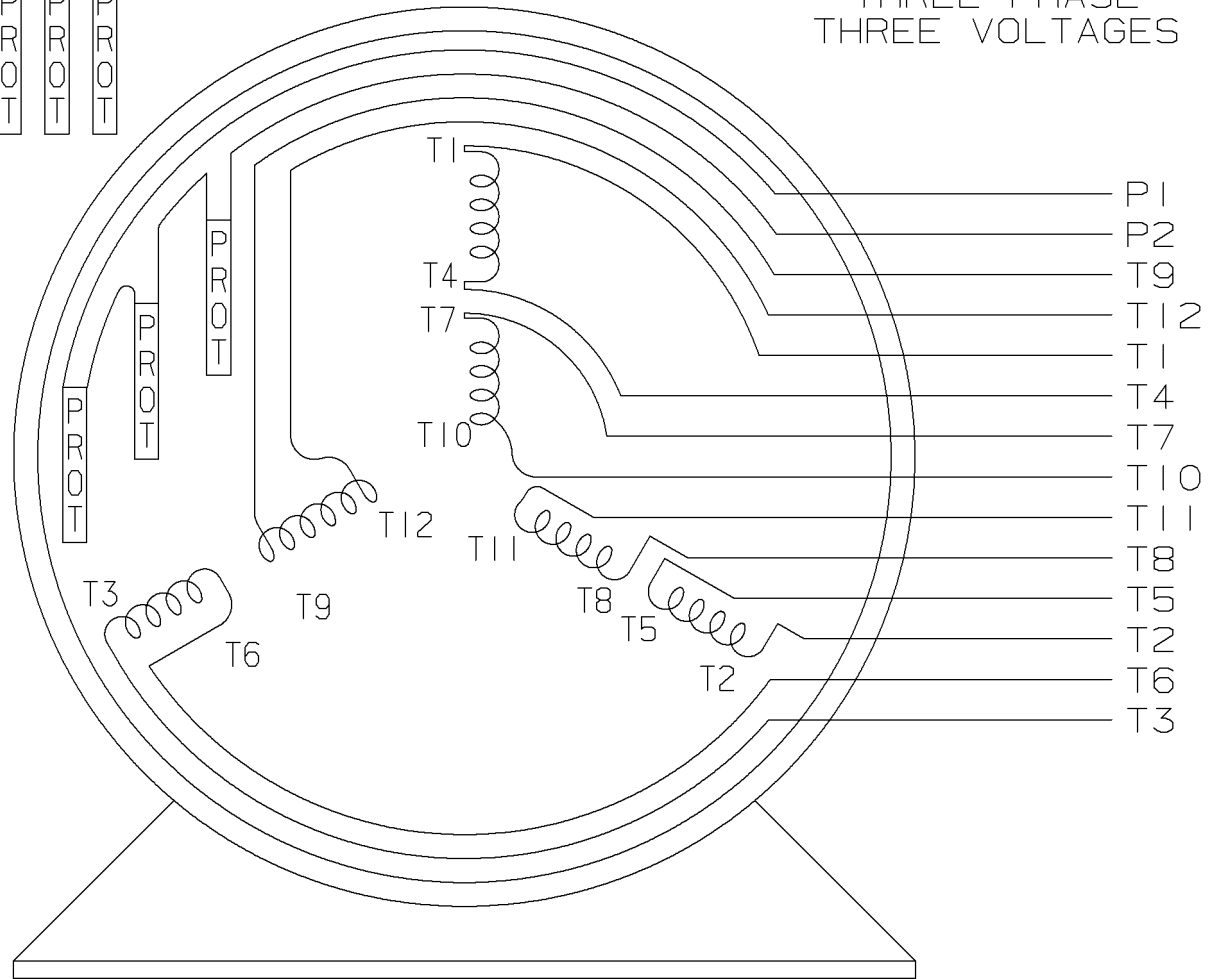
MED. VOLTAGE



HIGH VOLTAGE



THREE PHASE
THREE VOLTAGES



L.V. 2 DELTA M.V. 1 DELTA H.V. 1Y

T6F

				<input checked="" type="checkbox"/> MAX. SURFACE ROUGHNESS UNLESS NOTED OTHERWISE		UNLESS OTHERWISE SPECIFIED DIMENSIONS ARE IN INCHES TOL. ON XX± XXX±.005 XXXX±.0005 ANGLES±				
				MATL SPEC				DRAWN BY BLR		03-09-1998
				FINISH				CHKD BY ML		03-26-1998
5		03-26-1998		REDRAWN ON CADD, NO CHANGE		BLR		APPD BY GK		03-26-1998
REV	DATE	CHANGE			NAME	PART NAME CONNECTION DIAGRAM				DRWG NO
					3Ø - 12 LEAD					A- EE7326C
SHOP BOOK		PURCHASED		DISTRIBUTION - WA - LB - WP - LM			CADD FILE NO.		EE7326C	