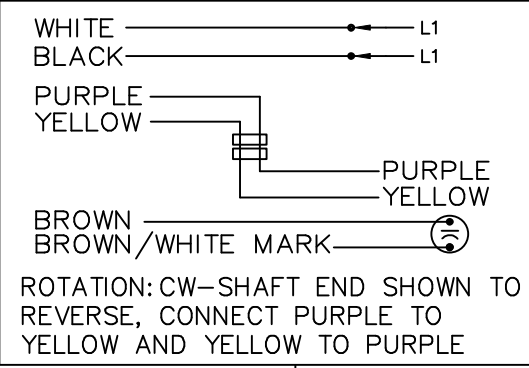


DASH	FRAME	C	A
400	48Y	11.00	4.50
450	48Y	11.50	5.00
475	48Y	11.75	5.25
500	48Y	12.00	5.50
550	48Y	12.50	6.00

LEAD DESCRIPTION:
 1BLACK, AND 1 WHITE LEAD WITH .50 BARE WIRE STRIP 30.00" LONG.
 2 BROWN CAPACITOR LEADS WITH .25 FLAG-TYPE QUICK CONNECTS 30.00" LONG BROWN WITH WHITE MARK IS COMMON TO WHITE LEAD.
 REVERSING LEADS ARE MOLDED INTO MATING PULL APART PLUGS 1 PURPLE, AND 1 YELLOW PER PLUG 5.00" LONG.
 GREEN GROUND LEAD 12.0" LONG



NO.	REVISION	BY & DATE	CHK	TOLERANCES UNLESS SPECIFIED	
				DEC.	INCHES
				.X	±.1
				.XX	±.03
				.XXX	±.005
				.XXXX	±.0005
				ANG	±7'30"

MARATHON ELECTRIC

TITLE OUTLINE
48 FR.

MAT'L.
FINISH

DRAWN	GRB 05-27-2008
CHK	SP 05-27-2008
APPD	NB 05-27-2008
SCALE	7=16
REF	SS403705
FMF	08-0421
PREV	

```
ERROR: undefined  
OFFENDING COMMAND: loa
```

```
STACK:
```

```
/newpath  
/N  
-dictionary-  
/Pscript_WinNT_Compat  
-dictionary-
```