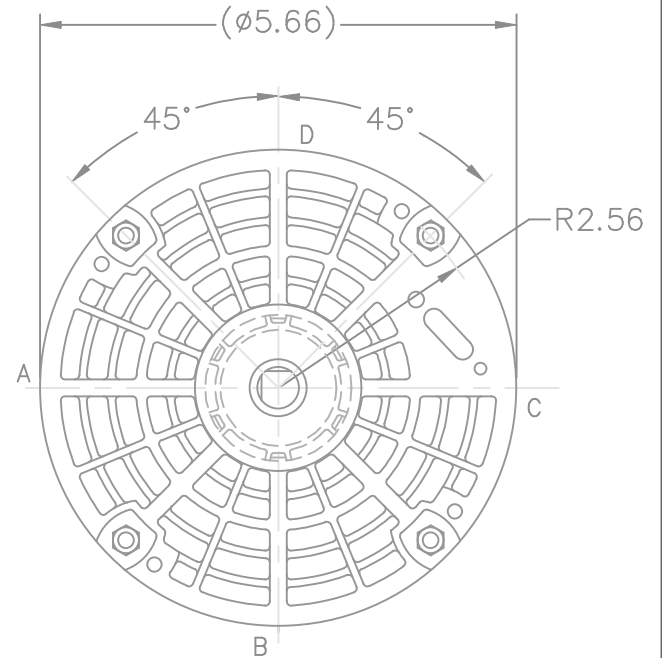
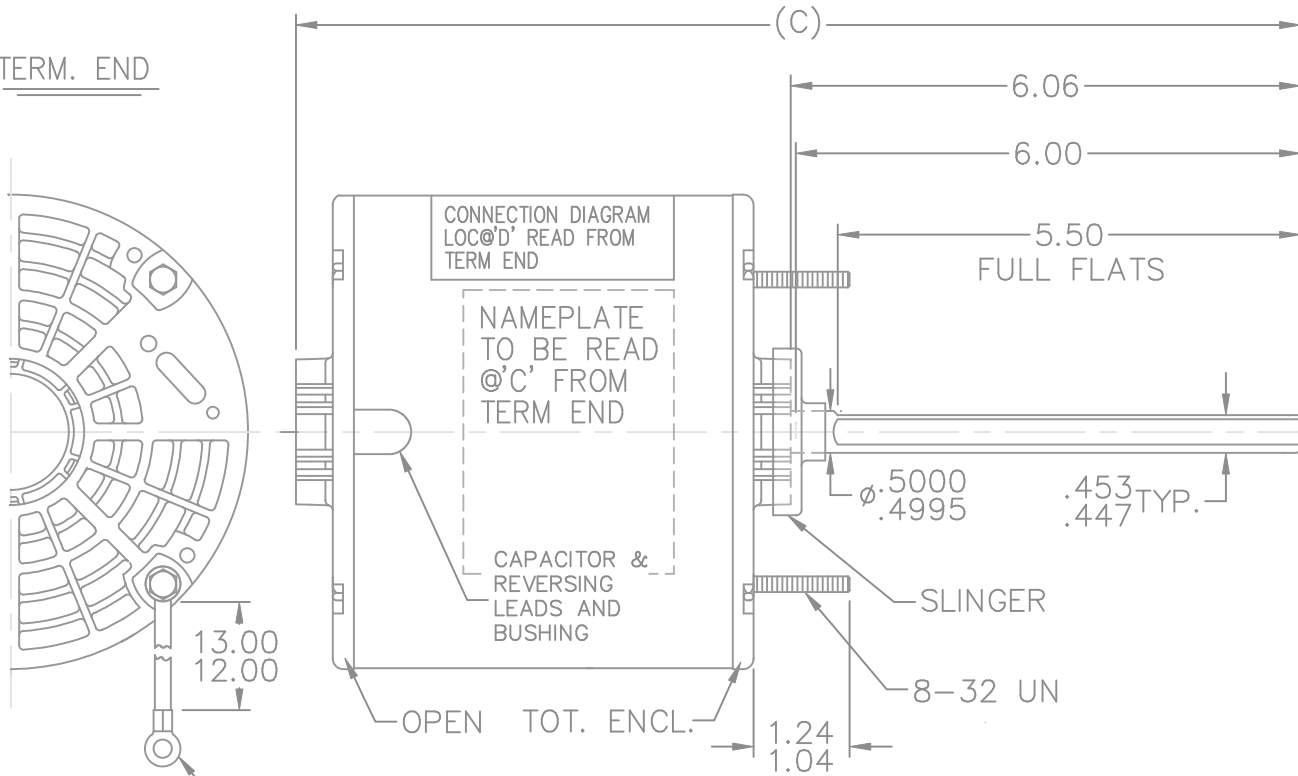


TERM. END

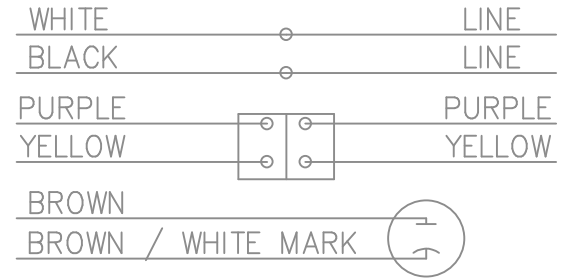


1 GREEN GRD.
W/TERM FOR
#10 SCREW

LEAD DESCRIPTION:
1 WHITE & 1 BLACK WITH .50 BARE
WIRE STRIP 30.00" LONG.

2 BROWN CAPACITOR LEADS W/.25
FLAG TYPE QUICK CONNECTS 30.00" LONG
BROWN W/WHITE MARK IS COMMON TO WHITE LEAD

REVERSING LEADS ARE MOLDED INTO MATING PULL
APART PLUGS. ONE PURPLE AND ONE YELLOW PER
PLUG. 5.0 LONG



ROTATION: CW-SHAFT END SHOWN.
TO REVERSE, CONNECT PURPLE TO
YELLOW AND YELLOW TO PURPLE

DASH	FRAME	C
350	48Y	10.94
400	48Y	11.44
450	48Y	11.94
500	48Y	12.44
525	48Y	12.69

			TOLERANCES UNLESS SPECIFIED		MARATHON ELECTRIC	DRAWN MRB 09-13-1995			
			DEC.	INCHES		CHK DA 09-14-1995			
5	UPDATED DRAWING	TJW 04/02/2007	.X	±.1	TITLE OUTLINE 48Y FR.	APPD GK 09-14-1995			
4	REDRAWN IN AUTOCAD	TAT 07-22-2004 ML	.XX	±.03		SCALE 7=16			
3	REMOVED CONDUIT BOX, LEADS WERE 36.00-39.00 LONG. - REDRAWN ON CADD CN 21154	MRB 09-14-1995	.XXX	±.005		REF			
			.XXXX	±.0005	MAT'L.	FMF			
NO.	REVISION	BY & DATE	CHK	ANG	FINISH	PREV			
THIS DRAWING IN DESIGN AND DETAIL IS OUR PROPERTY AND MUST NOT BE USED EXCEPT IN CONNECTION WITH OUR WORK ALL RIGHTS OF DESIGN AND INVENTION ARE RESERVED THIS IS AN ELECTRONICALLY GENERATED DOCUMENT - DO NOT SCALE THIS PRINT			RFP		CAD FILE ss73949	SIZE A	DRAWING NO. SS73949	PAGE OF	REV. 5
			DIST	WP					