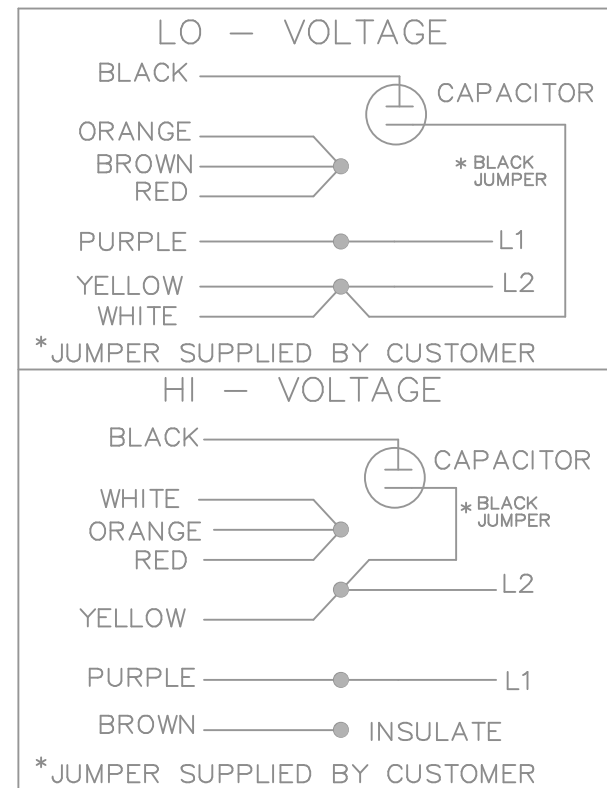
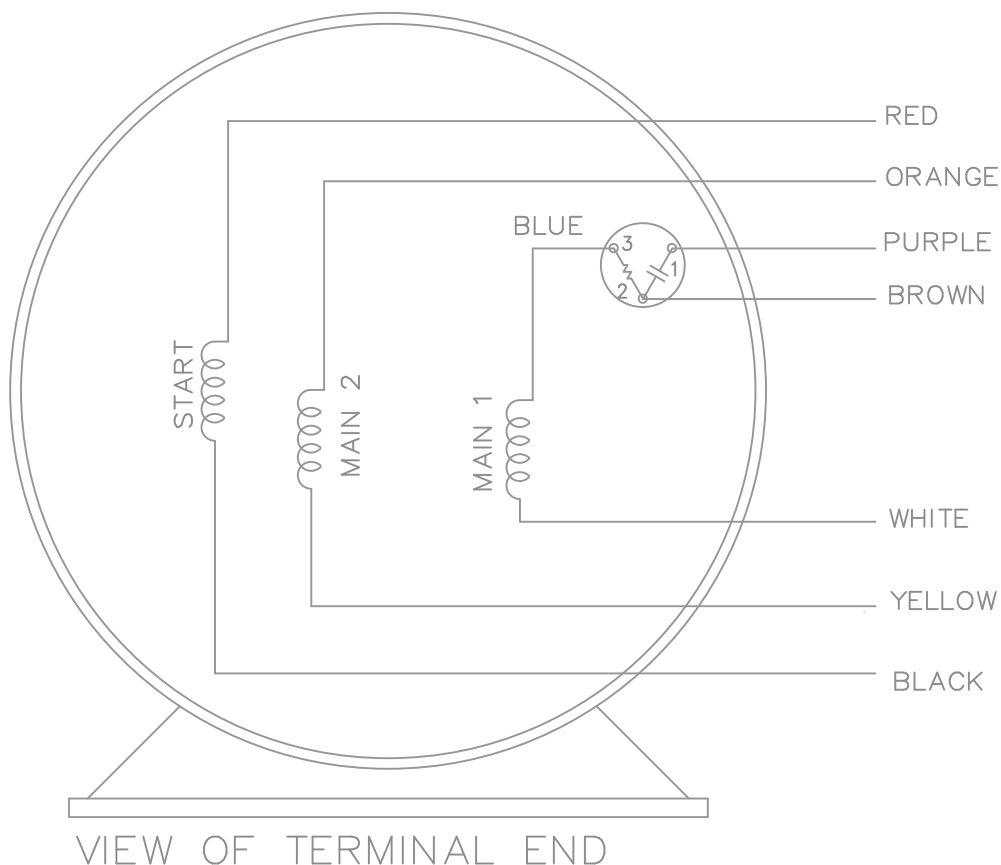


PSC – DUAL VOLTAGE  
REVERSIBLE  
CCW ROTATION SHOWN



FOR CW ROTATION  
EITHER VOLTAGE  
INTERCHANGE—BLACK & RED

				TOLERANCES UNLESS SPECIFIED			DRAWN MH 11-25-1996				
				DEC.	INCHES		CHK ML 12-02-1996				
				.X	±.1		APPD RJS 12-04-1996				
				.XX	±.02		SCALE 5=8				
				.XXX	±.005		REF				
1	NEW DRAWING	CN 23597	MH 12-06-1996	.XXXX	±.0005	MAT'L.	FMF				
NO.	REVISION	BY & DATE	CHK	ANG	±7'30"	FINISH	PREV				
THIS DRAWING IN DESIGN AND DETAIL IS OUR PROPERTY AND MUST NOT BE USED EXCEPT IN CONNECTION WITH OUR WORK ALL RIGHTS OF DESIGN AND INVENTION ARE RESERVED THIS IS AN ELECTRONICALLY GENERATED DOCUMENT – DO NOT SCALE THIS PRINT				RFP	CAD FILE 102009-14		SIZE	DRAWING NO.	PAGE	OF	REV.
				DIST	WP	A		102009-14		1	