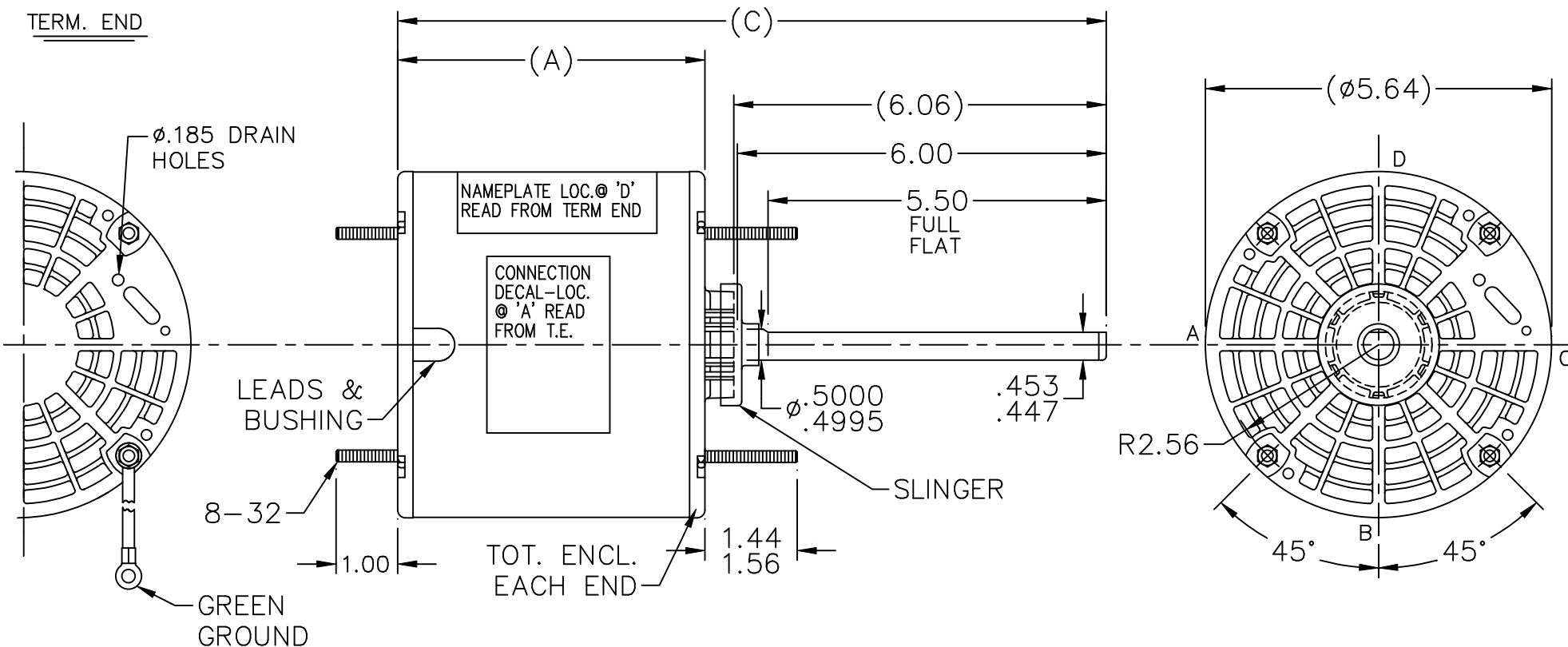


TERM. END



LEAD DESCRIPTION:

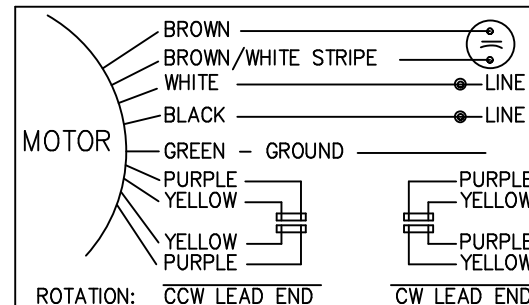
1 WHITE, 1 BLACK W/BARE WIRE STRIPPED .50, 30.00" LONG.

1 BROWN & 1 BROWN W/WHITE MARK W/.25 FLAG TYPE QUICK CONNECT, 30.00 LONG. BROWN LEAD W/WHITE MARK IS COMMON TO WHITE.

PURPLE AND YELLOW REVERSING LEADS ARE MOLDED INTO MATING PULL APART PLUGS, 5.00" LONG.

GREEN GROUND WITH TERM. FOR #10 SCREW, 12.00" LONG.

DASH	FRAME	C	A
325		10.25	3.75
375		10.75	4.25
425		11.25	4.75
450		11.50	5.00
475		11.75	5.25



NO.		REVISION	BY & DATE	CHK	ANG	TOLERANCES UNLESS SPECIFIED	MARATHON ELECTRIC	DRAWN	
						DEC.		INCHES	SP
						.X	±.1	CHK NB 06-24-2009	
						.XX	±.03	APPD SP 06-24-2009	
						.XXX	±.005	SCALE 1=2.5	
						.XXXX	±.0005	REF SS400433	
							MAT'L.	FMF 09-1916	
							FINISH	PREV	
						RFP	06-24-2009	CAD FILE	SS403870
						DIST	WP	SIZE	A
								DRAWING NO.	SS403870
								PAGE	OF
								REV.	