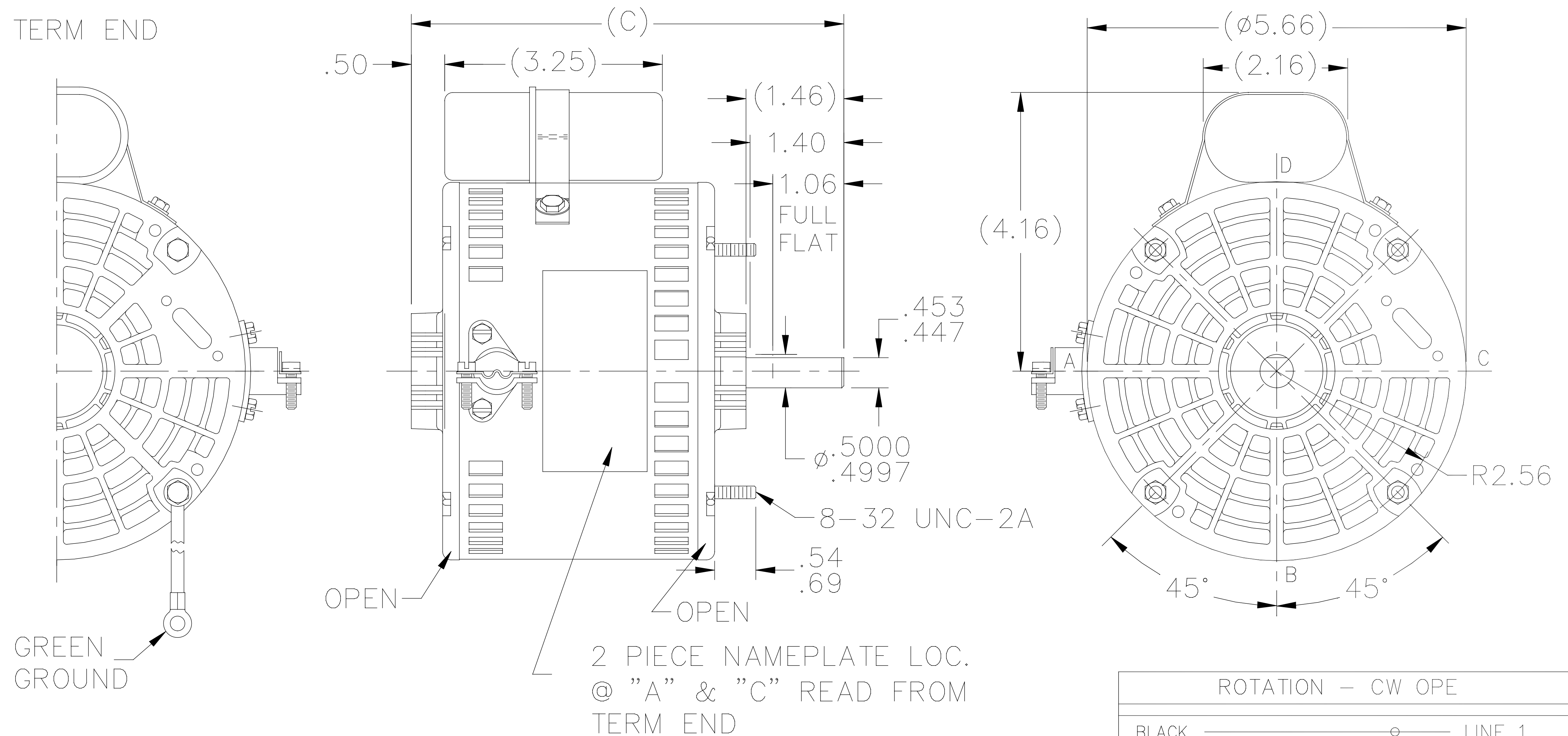


SS74438

TERM END



DASH	FR.	C
350		6.34
362		6.46

LEAD DESCRIPTION:
 2 BLACK LEADS 42.00" LONG W/.75" WIRE STRIPPED.
 GREEN GROUND LEAD 14.50" LONG W/TERM. FOR #10
 SCREW.

ROTATION - CW OPE		
BLACK		LINE 1
BLACK		LINE 2
BROWN		
BROWN		

NO.	REVISION	BY & DATE	CHK	TOLERANCES UNLESS SPECIFIED		MARATHON ELECTRIC	DRAWN SMC 08-28-1992
				DEC.	INCHES		
				.X	±.1		CHK ML 08-28-1992
4	ROTATION WAS CCW CHD TO CW PER ECO-0087016	SL 10/14/15	KK	.XX	±.03	TITLE OUTLINE	APPD GK 08-28-1992
3	REDRAWN ON CADD	TAT 05-19-2005	ML	.XXX	±.005		SCALE 7=16
2	REDRAWN, UPDTD. STUD EXT. WAS .54/.69 CN 6402	SMC 08-28-1992		.XXXX	±.0005	MAT'L.	REF
				ANG	±7'30"	FINISH	FMF
THIS DRAWING IN DESIGN AND DETAIL IS OUR PROPERTY AND MUST NOT BE USED EXCEPT IN CONNECTION WITH OUR WORK ALL RIGHTS OF DESIGN AND INVENTION ARE RESERVED THIS IS AN ELECTRONICALLY GENERATED DOCUMENT - DO NOT SCALE THIS PRINT				RFP		CAD FILE ss74438	SIZE A
				DIST WP			DRAWING NO. SS74438
							PAGE OF 4
							REV. 4