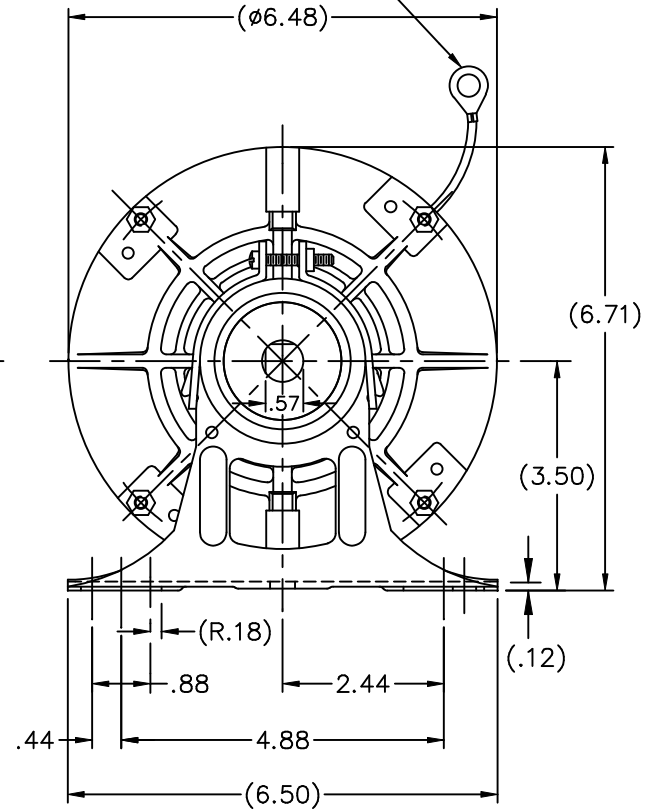
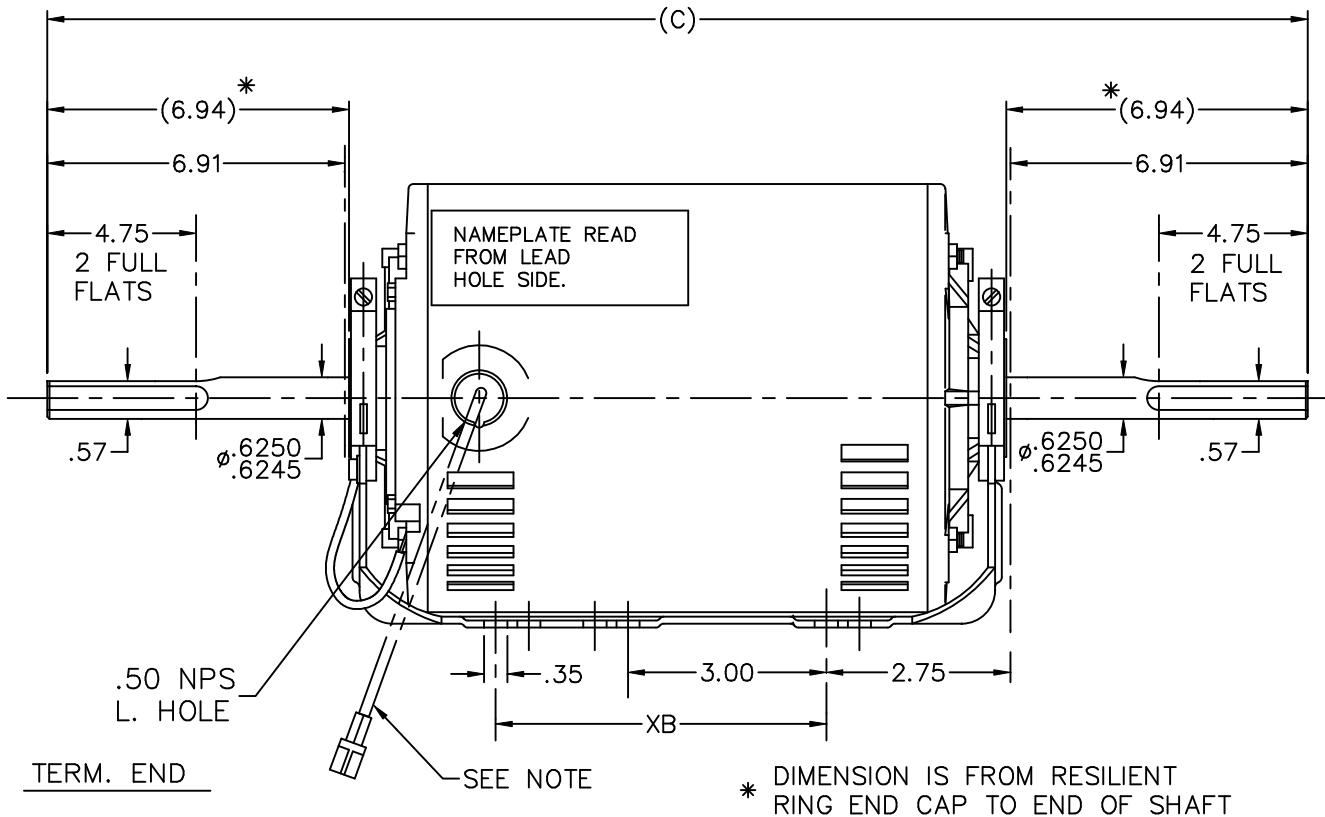


GREEN GROUND LEAD 12.00"  
W/TERM FOR #10 SCREW.  
TERM. END



NOTE:

1. 3 LEADS 25" WITH .25 QUICK CONNECT COLORS = BROWN, BLACK, WHITE
2. MOTOR MUST BE ROTATED TO .75" STRIP SOCKET CLEARANCE FOR GROUND SCREW, MAXIMUM (10 DEGREES).

DASH	FRAME	C	XB
756	56-75	23.82	5.00
806	56-80	24.32	5.00

				TOLERANCES UNLESS SPECIFIED			DRAWN RM 03-02-1992				
				DEC.	INCHES		CHK	ML 03-03-1992			
				.X	±.1		APPD	GK 03-03-1992			
3	REDRAWN IN AUTOCAD	TAT 10-15-2004	ML	.XX	±.03	TITLE OUTLINE 56 FR. - BB - DR.PR. - RESIL. BASE	SCALE 11=32				
2	ADDED NOTE CN 24378	PGK 06-10-1997		.XXX	±.005		REF				
1	NEW DRAWING 3868946	RM 03-02-1992		.XXXX	±.0005	MAT'L.	FMF				
NO.	REVISION	BY & DATE	CHK	ANG	±7'30"	FINISH	PREV				
THIS DRAWING IN DESIGN AND DETAIL IS OUR PROPERTY AND MUST NOT BE USED EXCEPT IN CONNECTION WITH OUR WORK ALL RIGHTS OF DESIGN AND INVENTION ARE RESERVED THIS IS AN ELECTRONICALLY GENERATED DOCUMENT - DO NOT SCALE THIS PRINT				RFP	CAD FILE 100582		SIZE	DRAWING NO.	PAGE	OF	REV.
				DIST	WP	A	100582			3	