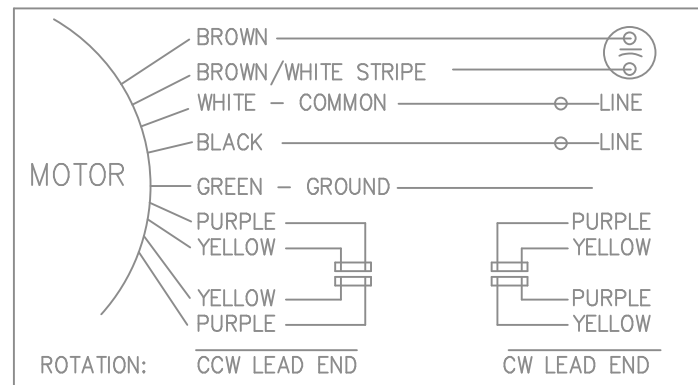


LEAD DESCRIPTION:

- 1 BLACK AND 1 WHITE LEAD WITH .50 BARE WIRE STRIP 30.00" LONG.
- 2 BROWN CAPACITOR LEADS WITH .25" FLAG QUICK CONNECTS 30.00" LONG. BROWN WITH WHITE MARK IS COMMON TO WHITE.
- REVERSING LEADS ARE MOLDED INTO MATING PULL APART PLUGS. 1 PURPLE AND 1 YELLOW PER PLUG 5.00" LONG.
- GREEN LEAD WITH TERM. FOR #10 SCREW 12.00" LONG.

DASH	FRAME	C	A
325	48Y	9.81	3.75



				TOLERANCES UNLESS SPECIFIED		<p>MARATHON ELECTRIC</p>	DRAWN SP 07-23-2008					
				DEC.	INCHES		CHK NB 07-23-2008					
				.X	±.1		APPD VL 07-23-2008					
				.XX	±.03		SCALE 3=8					
				.XXX	±.005		REF SS75073					
				.XXX	±.0005	TITLE	OUTLINE					
				.XXXX	±.0005	MAT'L.	FMF 08-2127					
NO.	REVISION	BY & DATE	CHK	ANG	±7'30"	FINISH	PREV					
THIS DRAWING IN DESIGN AND DETAIL IS OUR PROPERTY AND MUST NOT BE USED EXCEPT IN CONNECTION WITH OUR WORK ALL RIGHTS OF DESIGN AND INVENTION ARE RESERVED THIS IS AN ELECTRONICALLY GENERATED DOCUMENT - DO NOT SCALE THIS PRINT				RFP	07-23-2008	CAD FILE	SS403748	SIZE	DRAWING NO.	PAGE	OF	REV.
				DIST	WP			A	SS403748			