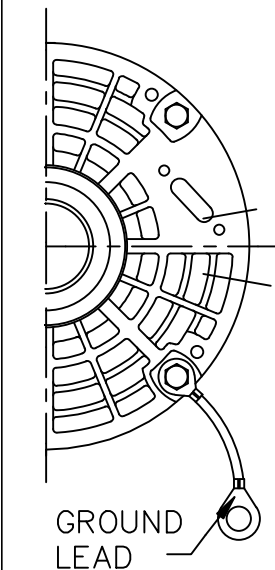
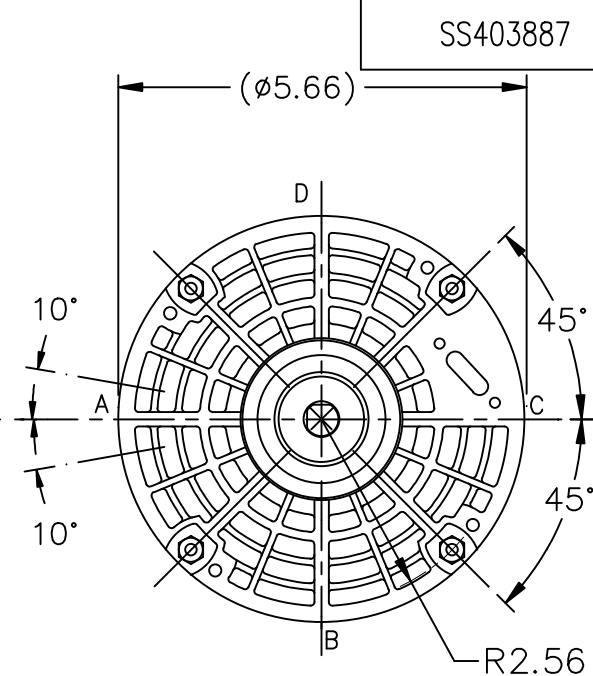
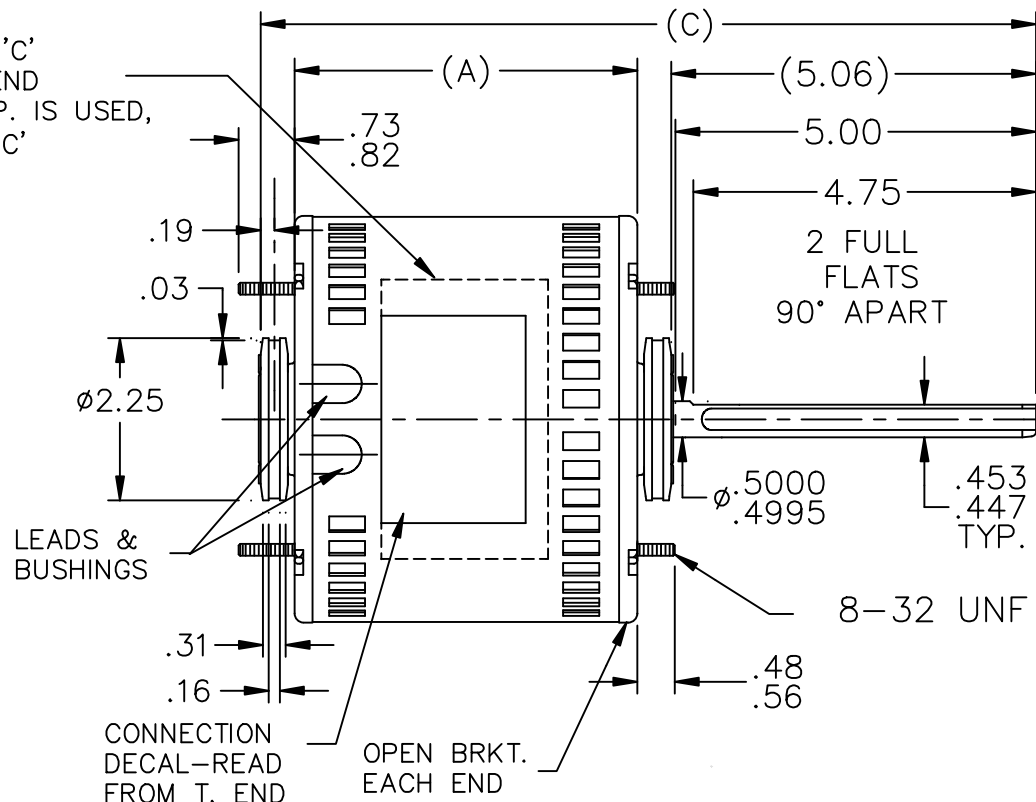


NAMEPLATE LOC. @ 'C'
 READ FROM TERM. END
 WHEN TWO PART N.P. IS USED,
 CENTER PIECES AT 'C'



TERM. END



SS403887

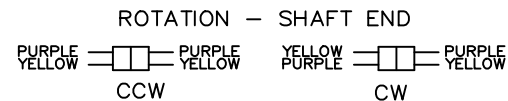
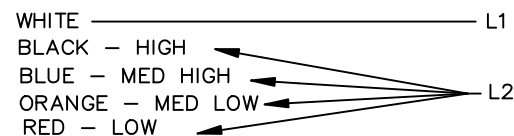
LEAD DESCRIPTION:

DASH	FR.	C	A
425	48Y	10.75	4.75
450	48Y	11.00	5.00

1 WHITE, 1 BLACK, 1 BLUE, 1 RED, & 1 ORANGE LEAD WITH
 .25 FLAG-TYPE QUICK CONNECTS 36.00" LONG.
 1 BROWN & WHITE AND
 1 BROWN LEAD WITH .25 FLAG-TYPE QUICK
 CONNECTS 36.00" LONG.

REVERSING LEADS ARE MOLDED INTO MATING
 PULL-APART PLUGS. 1 YELLOW & 1 PURPLE
 LEAD PER PLUG. 6.00" LONG.

GREEN GROUND LEAD WITH TERM. FOR
 #10 SCREW 12.00" LONG.



INSULATE UNUSED SPEED TAP LEADS SEPARATELY. BROWN/WHITE BROWN CAP.

TOLERANCES UNLESS SPECIFIED

DEC. INCHES

.X ±.1

.XX ±.03

.XXX ±.005

.XXXX ±.0005

CHK ANG ±7'30"



TITLE OUTLINE

MAT'L.

FINISH

DRAWN NB 12/29/09

CHK NB 12/29/09

APPD NB 12/29/09

SCALE 3=8

REF SS403373

FMF 048A11011066

PREV

NO. REVISION BY & DATE

THIS DRAWING IN DESIGN AND DETAIL IS OUR PROPERTY AND MUST NOT BE USED EXCEPT
 IN CONNECTION WITH OUR WORK ALL RIGHTS OF DESIGN AND INVENTION ARE RESERVED
 THIS IS AN ELECTRONICALLY GENERATED DOCUMENT - DO NOT SCALE THIS PRINT

RFP

DIST WP

CAD FILE ss403373

SIZE DRAWING NO. PAGE OF REV.

A SS403887