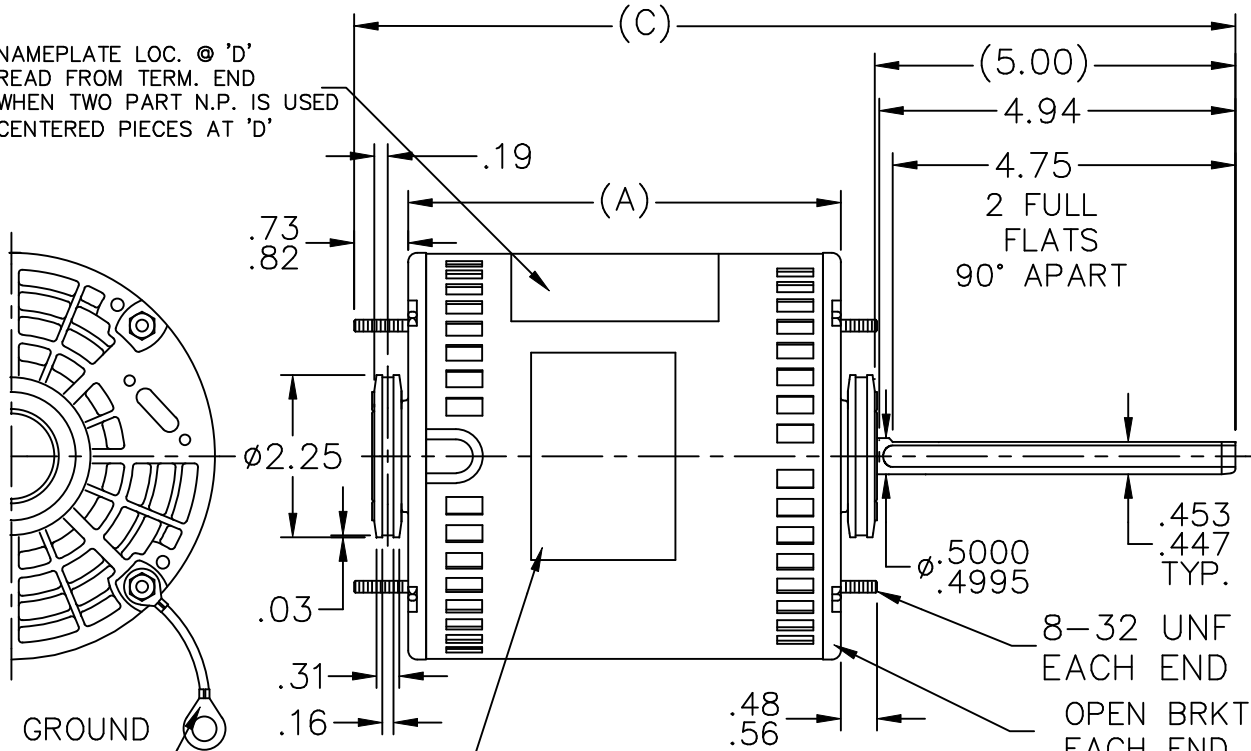
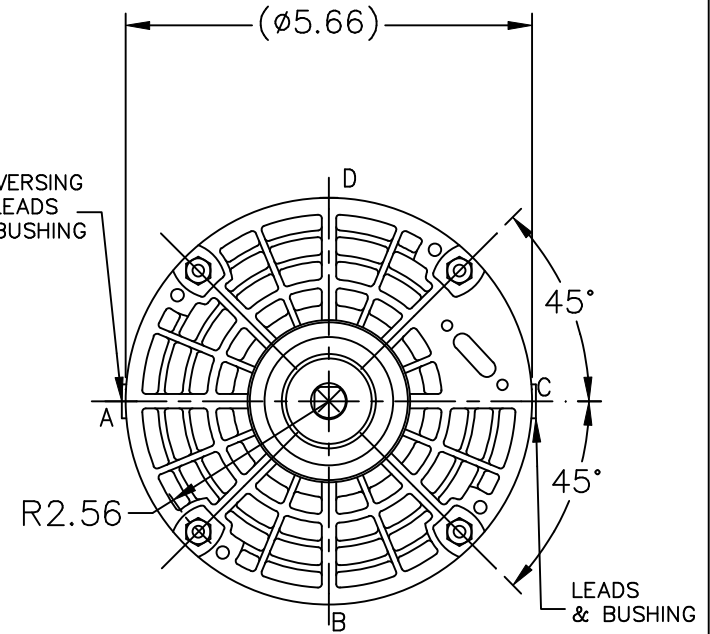


NAMEPLATE LOC. @ 'D'  
READ FROM TERM. END  
WHEN TWO PART N.P. IS USED  
CENTERED PIECES AT 'D'



REVERSING  
LEADS  
& BUSHING



CONNECTION  
DECAL-READ  
FROM T. END

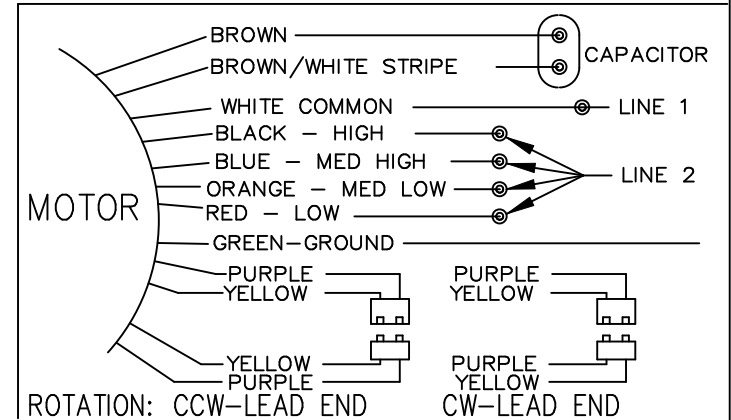
LEAD DESCRIPTION:  
1 EACH, WHITE, BLACK, BLUE, RED, & ORANGE  
WITH .25" FLAG STYLE QUICK CONNECT, EXIT  
MOTOR AT 'C' 36" LONG

2 BROWN LEADS WITH .25 FLAG TYPE QUICK  
CONNECT 36" LONG, EXIT MOTOR @ 'A'

REVERSING LEADS ARE MOLDED INTO MATING  
PULL-APART PLUGS. 1 YELLOW & 1 PURPLE LEAD  
PER PLUG 4" LONG, EXIT MOTOR @ 'A'

1 GREEN GROUND LEAD WITH TERMINAL FOR # 10  
SCREW, 8" LONG.

DASH	FR.	C	A
550	48Y	12.22	6.00



TOLERANCES  
UNLESS SPECIFIED

DEC.	INCHES
.X	±.1
.XX	±.03
.XXX	±.005
.XXXX	±.0005
ANG	±7'30"



TITLE OUTLINE

MAT'L.

FINISH

DRAWN	ERH 10-06-2003
CHK	ML 10-06-2003
APPD	MJS 10-06-2003
SCALE	3=8
REF	
FMF	MU 48445
PREV	

NO.	REVISION	BY & DATE	CHK	ANG

THIS DRAWING IN DESIGN AND DETAIL IS OUR PROPERTY AND MUST NOT BE USED EXCEPT  
IN CONNECTION WITH OUR WORK ALL RIGHTS OF DESIGN AND INVENTION ARE RESERVED  
THIS IS AN ELECTRONICALLY GENERATED DOCUMENT - DO NOT SCALE THIS PRINT

RFP  
DIST WP

CAD FILE SS403358

SIZE	DRAWING NO.	PAGE	OF	REV.
A	SS403358			

ERROR: syntaxerror  
OFFENDING COMMAND: --nostringval--

STACK:

-dictionary-  
/Pscript\_WinNT\_Compat  
-dictionary-