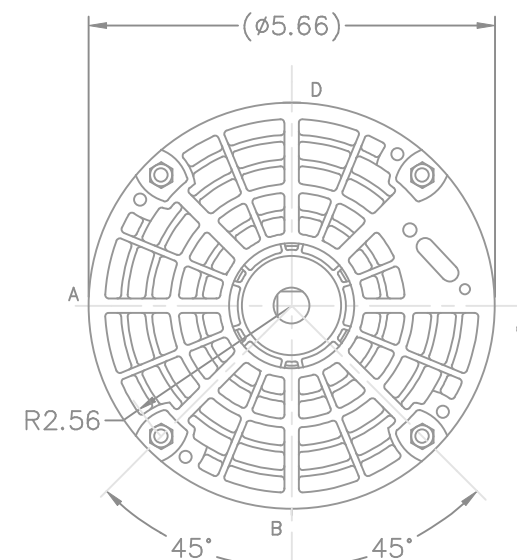
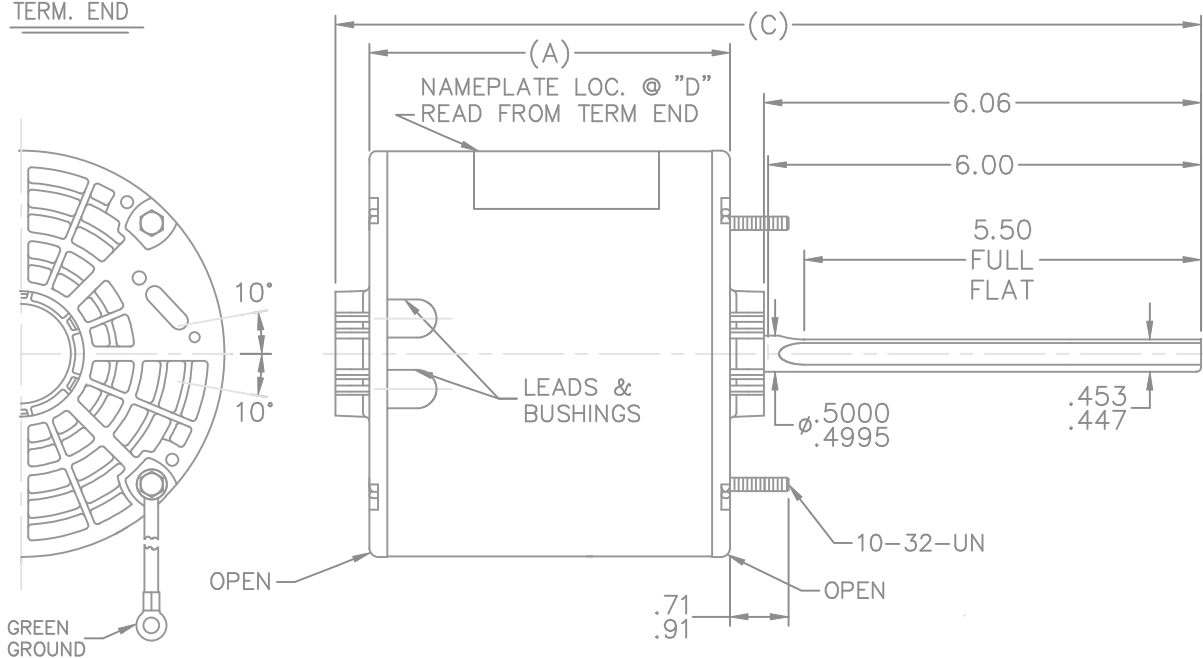


TERM. END



LEAD DESCRIPTION:

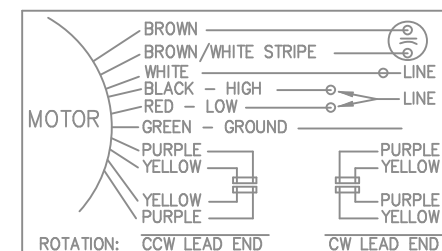
1 BLACK, 1 RED & 1 WHITE LEAD WITH .50 BARE WIRE STRIP 27.00" LONG.

2 BROWN CAPACITOR LEADS WITH .50" BARE WIRE STRIP 27.00" LONG BROWN WITH WHITE MARK IS COMMON TO WHITE LEAD.

REVERSING LEADS ARE MOLDED INTO MATING PULL APART PLUGS 1 PURPLE, AND 1 YELLOW PER PLUG 5.00" LONG.

GREEN GROUND LEAD WITH TERM. FOR #10 SCREW 12.00" LONG.

DASH	FRAME	C	A
400	48Y	11.44	4.50
425	48Y	11.69	4.75
450	48Y	11.94	5.00
475	48Y	12.19	5.25
500	48Y	12.44	5.50



				TOLERANCES UNLESS SPECIFIED		MARATHON ELECTRIC		DRAWN TRB 09-01-1999	
				DEC.	INCHES	TITLE OUTLINE		CHK	ML 09-02-1999
5	UPDATED DRAWING		RJW 04-13-2007					APPD	RJS 09-03-1999
4	REDRAWN IN AUTOCAD		TAT 08-03-2004	ML	.X			SCALE	3=8
3	REVISED NAME PLATE LOCATION	CN 29400-13	CAV 01-18-2000		.XX			REF	
2	BLACK, RED, & WHITE WAS 30"	MU26803	CAV 09-10-1999		.XXX			FMF	
1	NEW DRAWING	MU26799	TRB 09-03-1999		.XXXX	MAT'L.		PREV	
NO.	REVISION		BY & DATE	CHK	ANG	FINISH			
	THIS DRAWING IN DESIGN AND DETAIL IS OUR PROPERTY AND MUST NOT BE USED EXCEPT IN CONNECTION WITH OUR WORK ALL RIGHTS OF DESIGN AND INVENTION ARE RESERVED THIS IS AN ELECTRONICALLY GENERATED DOCUMENT - DO NOT SCALE THIS PRINT			RFP		CAD FILE ss400491		SIZE	DRAWING NO. PAGE OF REV.
				DIST	WP			A	SS400491 5