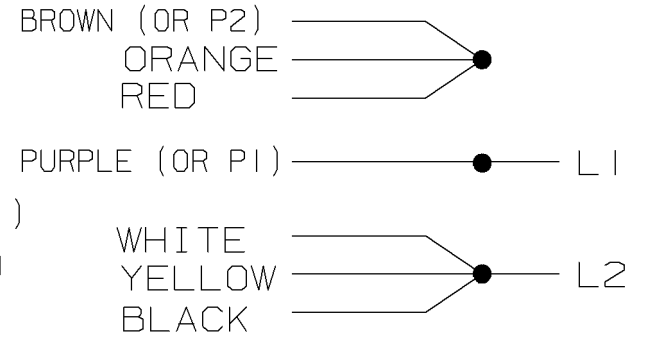
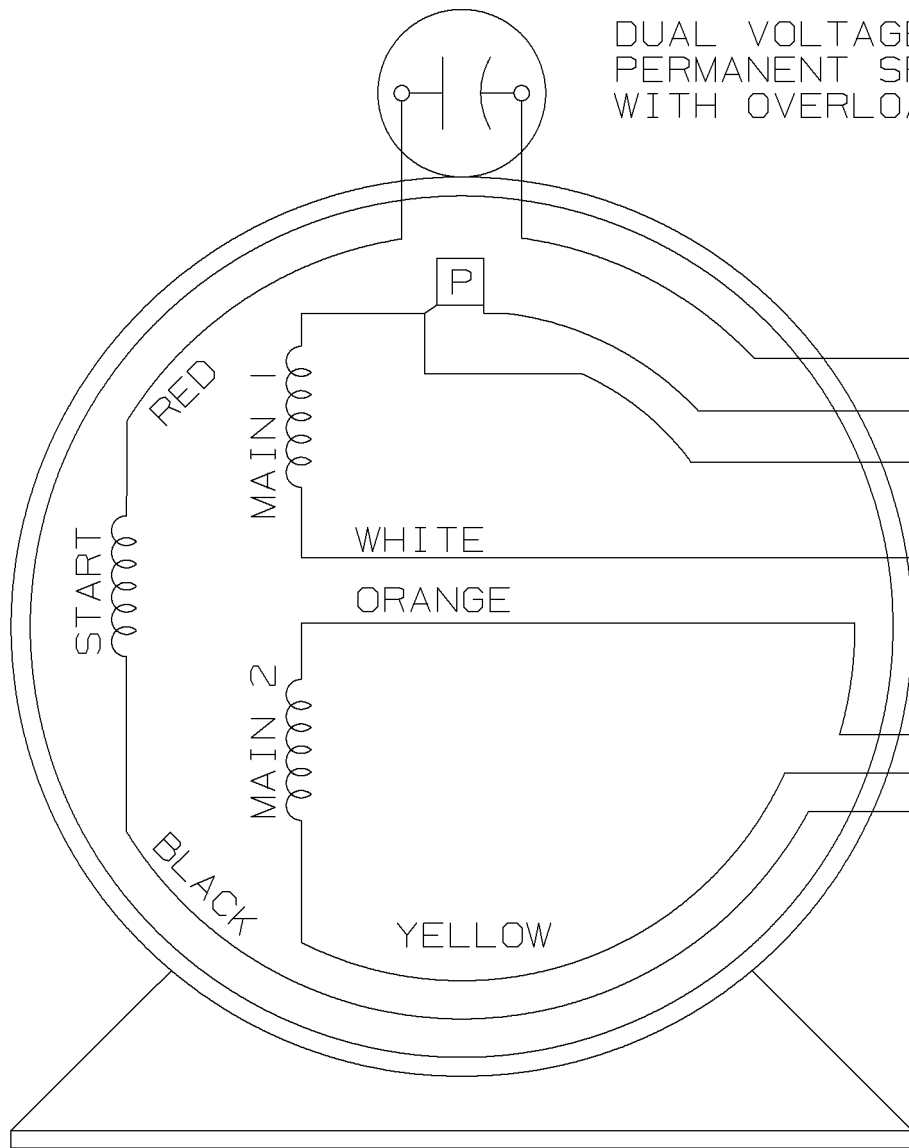
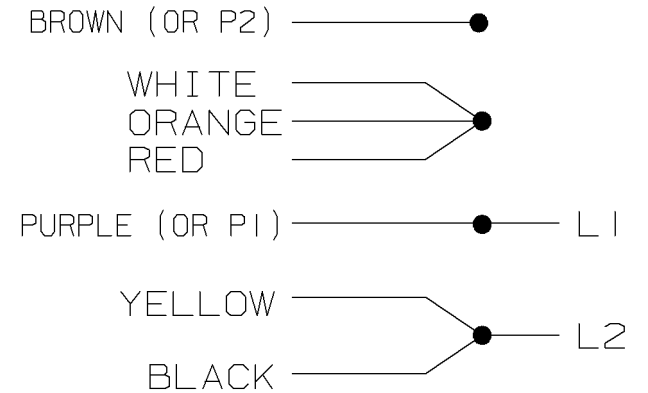


DUAL VOLTAGE MOTOR
PERMANENT SPLIT CAPACITOR
WITH OVERLOAD PROTECTION

LOW VOLTAGE
CCW ROTATION



HIGH VOLTAGE
CCW ROTATION



VIEW OF TERMINAL END

TO REVERSE ROTATION, EITHER
VOLTAGE, INTERCHANGE RED WITH BLACK

3	08-08-1993	CORRECTED LOW VOLTAGE CONN.	DA	✓ MAX. SURFACE ROUGHNESS UNLESS NOTED OTHERWISE	UNLESS OTHERWISE SPECIFIED DIMENSIONS ARE IN INCHES TOL. ON XX± XXX±.005 XXXX±.0005 ANGLES±			
2	08-12-1992	REVISED PROT. LEADS CN 14441	RM	MATL SPEC				DRAWN BY RM 08-27-1991
1	08-27-1991	NEW DRAWING 3834311	RM	FINISH				CHKD BY ML 08-30-1991
REV	DATE	CHANGE	NAME	REFERENCE DRW.	WAUSAU, WISCONSIN 54401			
				PART NAME CONNECTION DIAGRAM	DRWG NO A-EE9057R			

SHOP BOOK

PURCHASED

DISTRIBUTION - WA - LB - WP - LM - BR

CADD FILE NO.

EE9057R

ERROR: syntaxerror
OFFENDING COMMAND: --nostringval--

STACK:

/terminate
-dictionary-
/Pscript_WinNT_Compat
-dictionary-