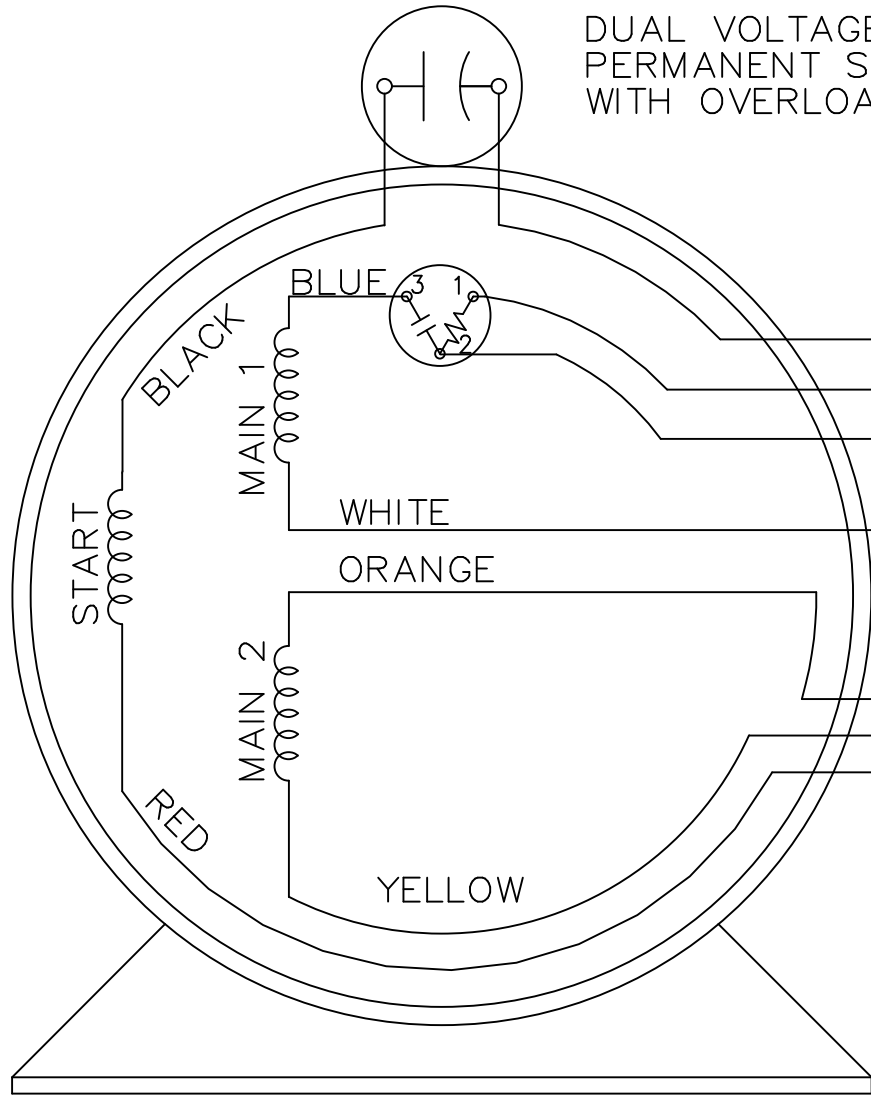
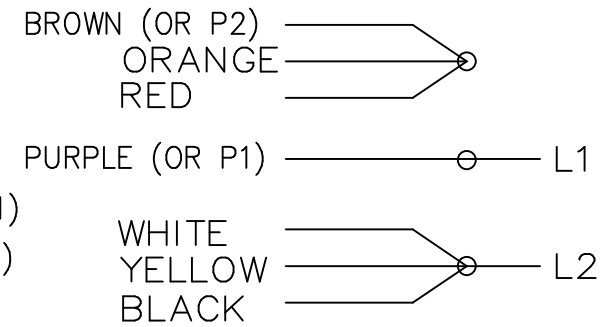


DUAL VOLTAGE MOTOR
PERMANENT SPLIT CAPACITOR
WITH OVERLOAD PROTECTION

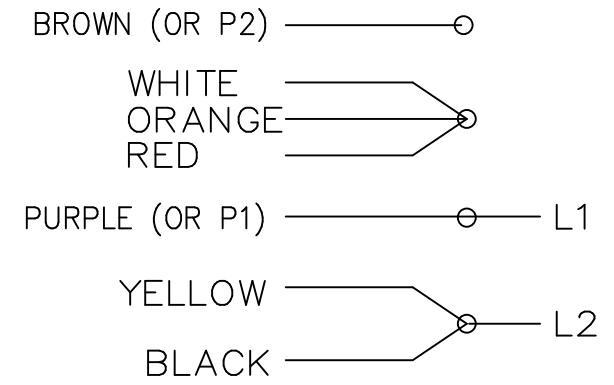


VIEW OF TERMINAL END

LOW VOLTAGE
CCW ROTATION



HIGH VOLTAGE
CCW ROTATION



TO REVERSE ROTATION, EITHER
VOLTAGE, INTERCHANGE RED WITH BLACK

			TOLERANCES UNLESS SPECIFIED		MARATHON ELECTRIC	DRAWN RM 05-28-1991				
			DEC.	INCHES		CHK	ML	05-29-1991		
			.X	±.1	TITLE CONNECTION DIAGRAM	APPD RJS 05-30-1991				
3	ADDED BLUE TO MAIN 1	RJW 10-25-2007	ML	.XX ±.02		SCALE				
2	REVISED PORT. LEADS CN14441	RM 08-12-1992		.XXX ±.005		REF				
1	NEW DRAWING 3808122	RM 05-28-1991		.XXXX ±.0005	MAT'L.	FMF				
NO.	REVISION	BY & DATE	CHK	ANG	FINISH	PREV				
THIS DRAWING IN DESIGN AND DETAIL IS OUR PROPERTY AND MUST NOT BE USED EXCEPT IN CONNECTION WITH OUR WORK ALL RIGHTS OF DESIGN AND INVENTION ARE RESERVED THIS IS AN ELECTRONICALLY GENERATED DOCUMENT - DO NOT SCALE THIS PRINT			RFP		CAD FILE EE9057N	SIZE A	DRAWING NO. EE9057N	PAGE	OF	REV. 3
			DIST	LB						