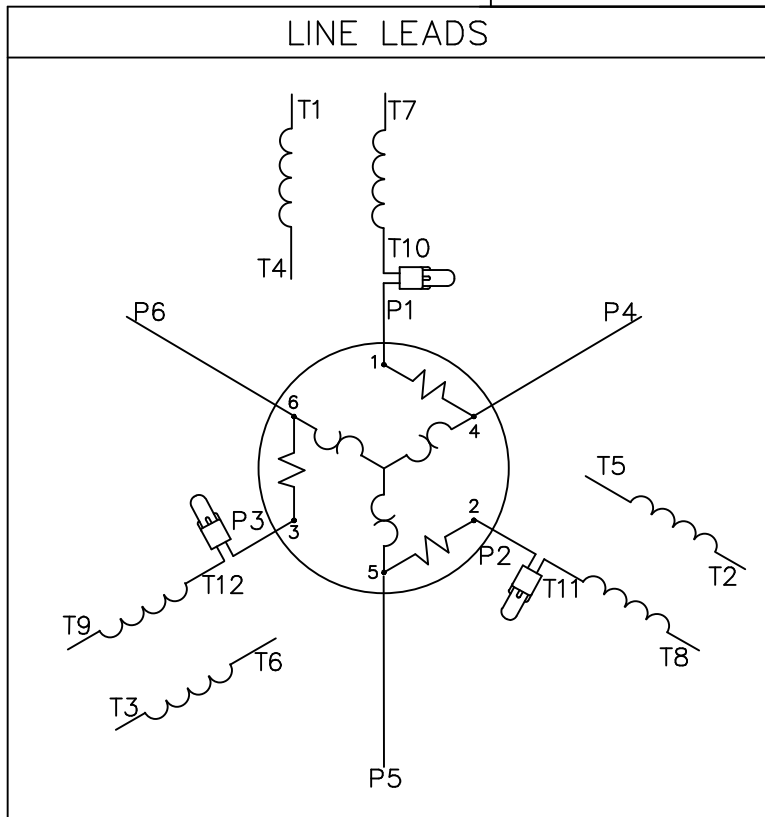
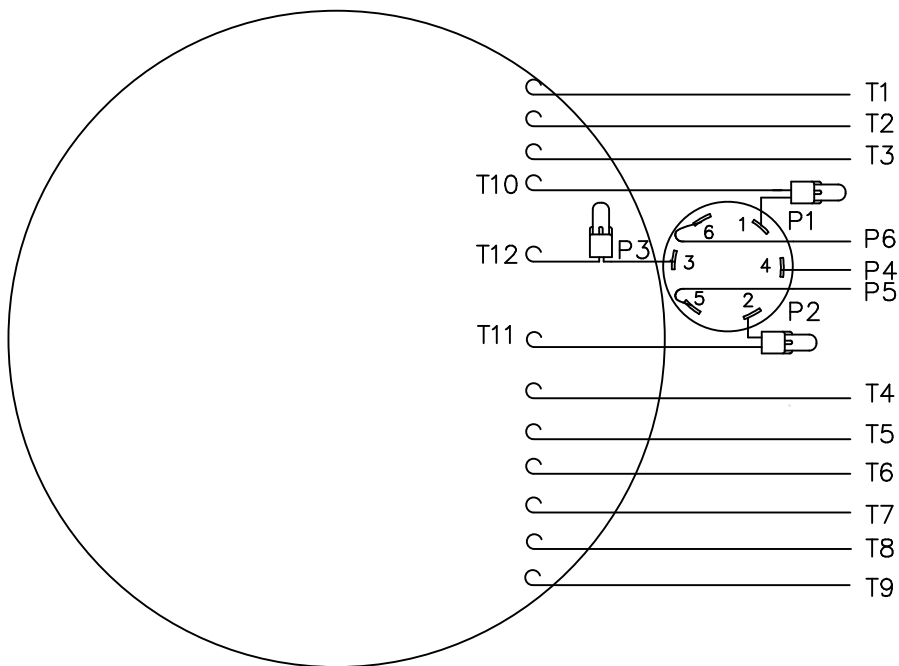


VIEW FROM OUTSIDE OF MOTOR AT SWITCH END.



VOLTAGE	L1	L2	L3	JOIN	SEPARATE
HIGH	T1	T2	T3	(T4, T7) (T5, T8) (T6, T9)	(P4) (P5) (P6)
LOW	T1, T7	T2, T8	T3, T9	(T4, P4) (T5, P5) (T6, P6)	

NO.	REVISION	BY & DATE	CHK	TOLERANCES UNLESS SPECIFIED		FINISH	DRAWN	LST 7/2/08	
				DEC.	INCHES				
				.X	±.1		CHK		
				.XX	±.01	TITLE	APPD		
				.XXX	±.005	EXTERNAL WIRING DIAGRAM TYPE T W/ PROTECTOR	SCALE	1=1	
				.XXXX	±.0005	MAT'L. DECAL - 004023	REF		
				ANG	±1/2°		FMF		
				RFP		CAD FILE 00502002ME	PREV		
THIS DRAWING IN DESIGN AND DETAIL IS OUR PROPERTY AND MUST NOT BE USED EXCEPT IN CONNECTION WITH OUR WORK ALL RIGHTS OF DESIGN AND INVENTION ARE RESERVED THIS IS AN ELECTRONICALLY GENERATED DOCUMENT - DO NOT SCALE THIS PRINT				DIST		SIZE A	DRAWING NO. 005020-02ME	PAGE OF	REV.